

## WPS-12 Stainless Steel Wall Covering

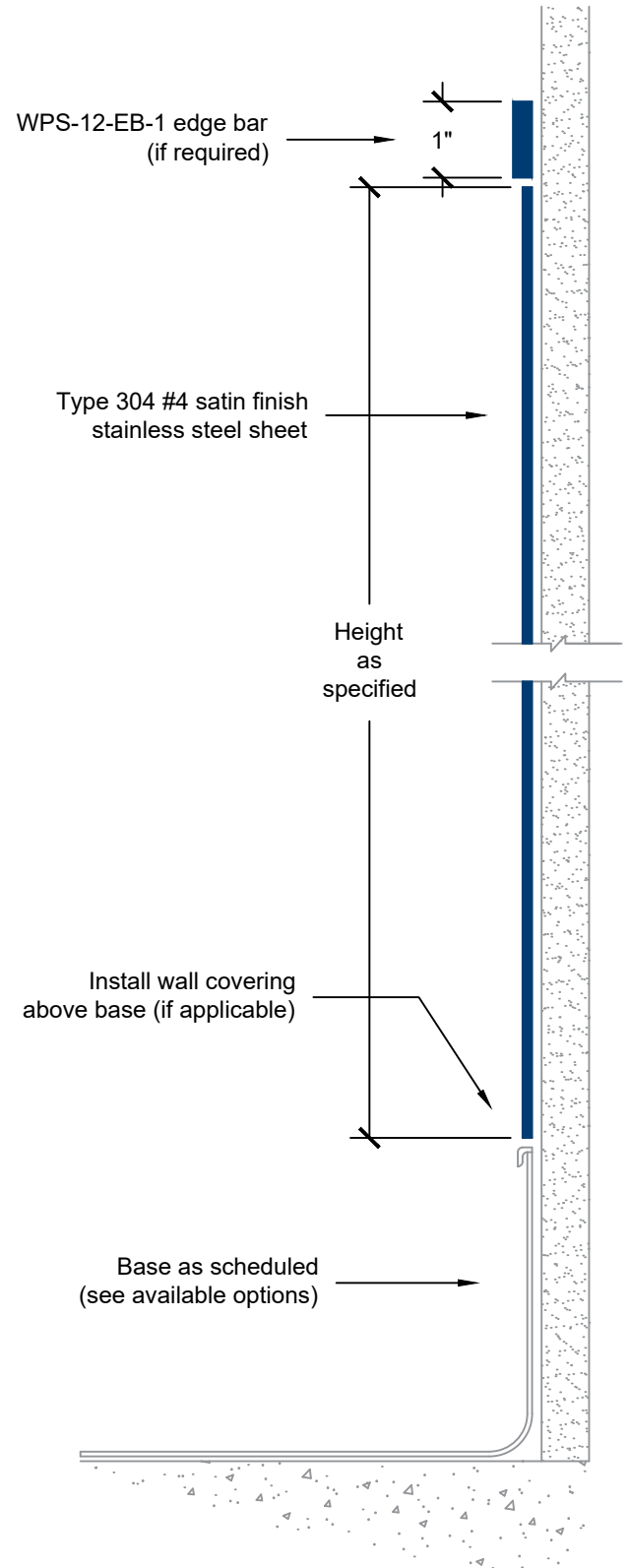
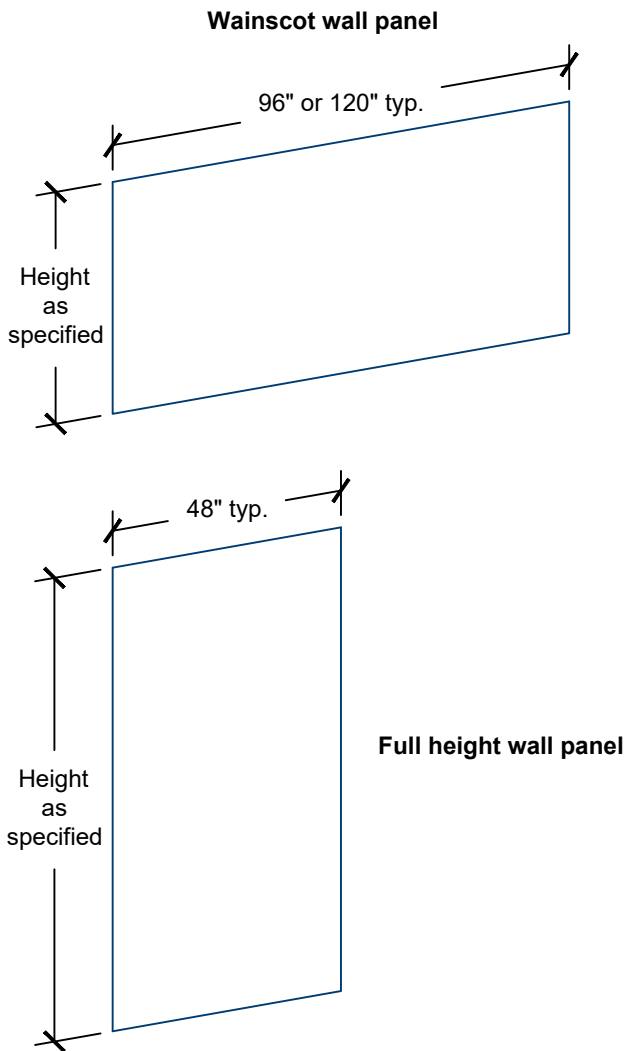
- Type 304 #4 satin finish stainless steel
- Wainscot or full height installation
- 1/2-inch offset overlapping seams
- Other stainless steel grades and finishes available

### Standard Sheet Sizes

- 48-inch x 96-inch
- 48-inch x 120-inch
- Custom sizes available

### Mounting Options

- ADH-50 silicone sealant adhesive
- Mechanical fasteners (supplied by others)
- Pre-drilled mounting holes available



## WPS-12 Stainless Steel Wall Covering

- Type 304 #4 satin finish stainless steel
- Wainscot or full height installation
- 1/2-inch offset overlapping seams
- Other stainless steel grades and finishes available

### Standard Sheet Sizes

- 48-inch x 96-inch
- 48-inch x 120-inch
- Custom sizes available

### Mounting Options

- ADH-50 silicone sealant adhesive
- Mechanical fasteners (supplied by others)
- Pre-drilled mounting holes available

#### WPS-12-ICG-50 inside corner

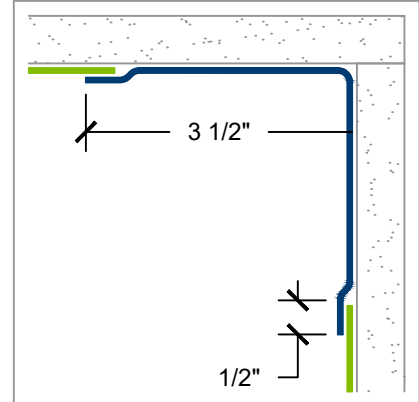
- Type 304 #4 stainless steel
- 3 1/2-inch wing size
- 1/2-inch offset construction both wings
- 1/8-inch corner radius
- Height as specified

#### WPS-12-OCG-50 outside corner

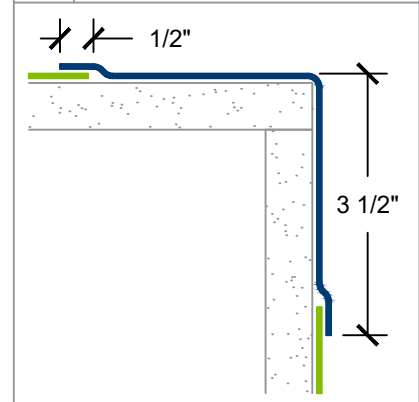
- Type 304 #4 stainless steel
- 3 1/2-inch wing size
- 1/2-inch offset construction both wings
- 1/8-inch corner radius
- Height as specified

#### WPS-12 sheet with offset

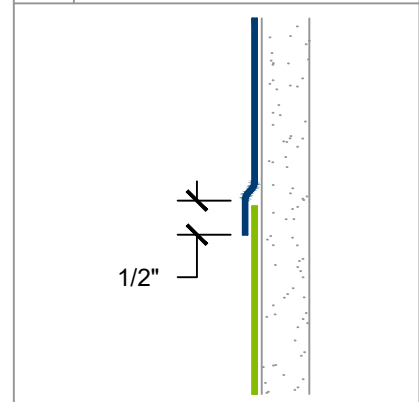
- Type 304 #4 stainless steel
- Size as specified
- 1/2-inch offset construction on one vertical edge
- Required at all vertical seams



**IC** Inside corner detail



**OC** Outside corner detail



**J** 1/2-inch offset joint detail

