

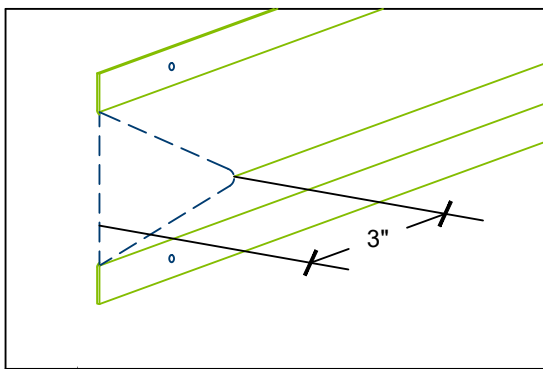
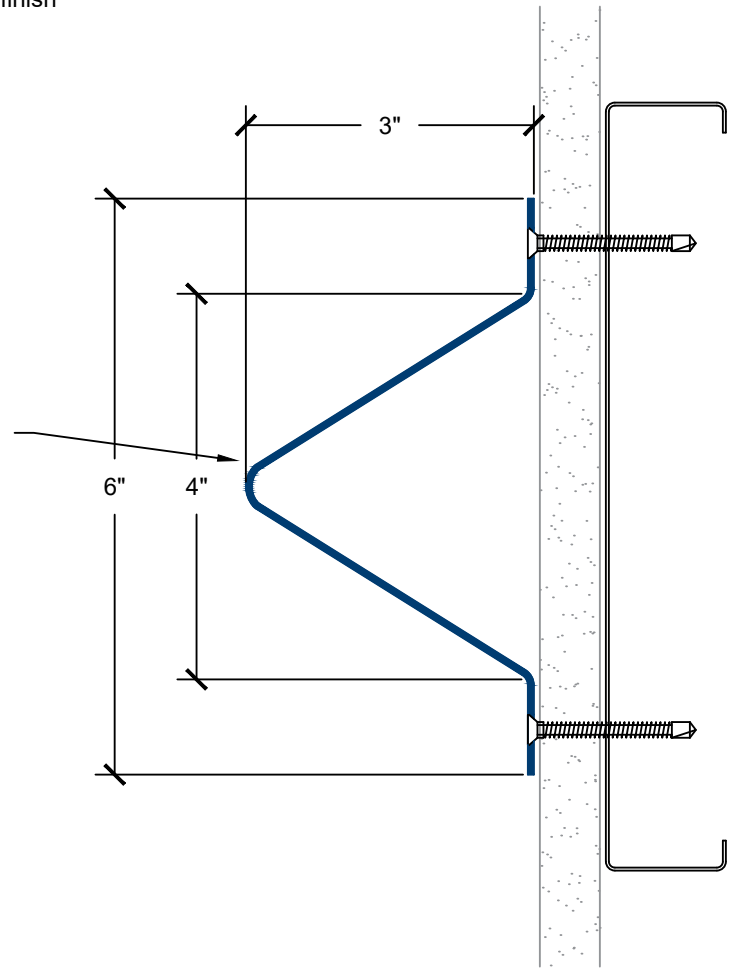
## BCRAM-4SS Antimicrobial Crash Rail

- .063-inch aluminum with antimicrobial powder coat finish
- Welded ends that return to wall at 45-degree angle
- Mounts to wall through top and bottom flanges
- Custom-fabricated per field measurements
- Full range of RAL colors available
- Custom profiles available
- Other thicknesses available

### Mounting Options

- Mechanical fasteners (supplied by others)

.063-inch aluminum with antimicrobial powder coat finish



Solid welded ends return at 45° angle

