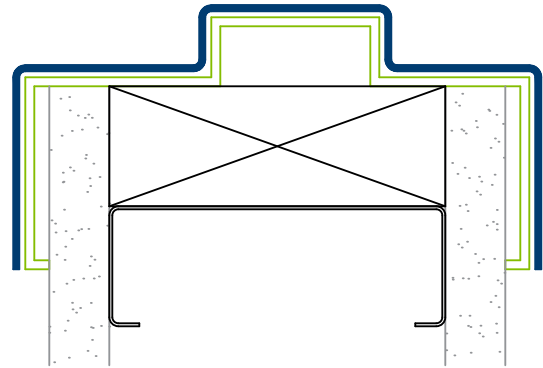


## DFCC-16 Colored Stainless Steel Door Frame Cover

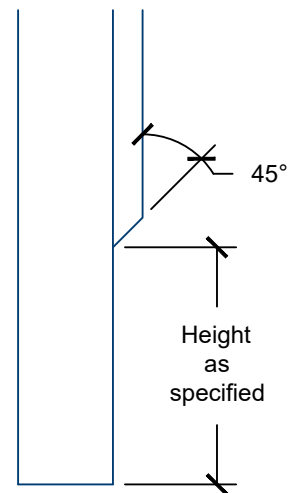
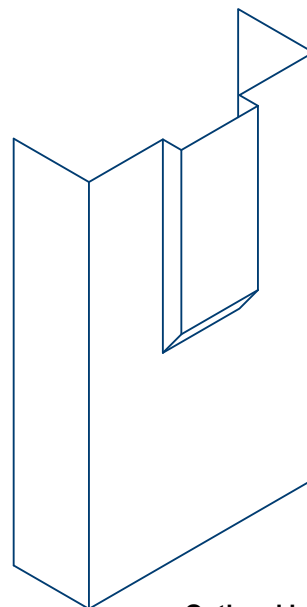
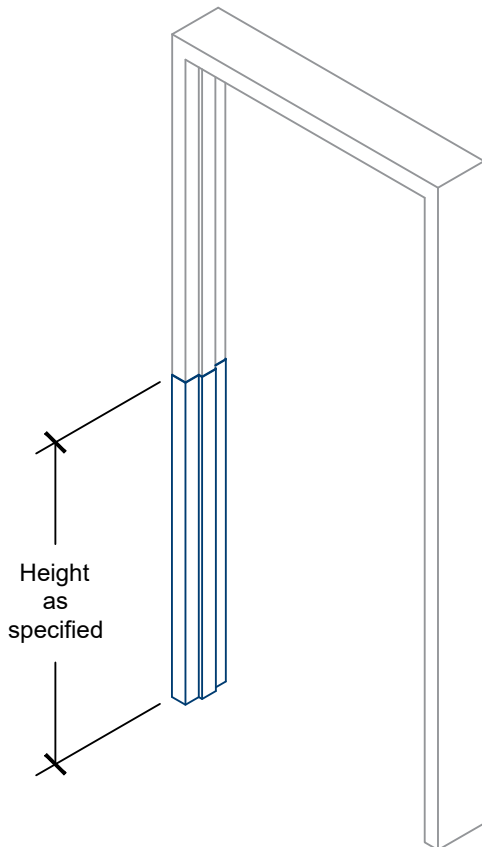
- Type 304 #4 satin finish colored stainless steel
- Custom-fabricated per field measurements
- Manufacturer's standard colors
- Custom colors available
- Cut-outs for hinges and strikes available
- Hospital stop profiles available
- Other stainless steel grades and finishes available

Custom-fabricated type 304 #4 satin finish colored stainless steel cover



### Mounting Options

- ADH-50 silicone sealant adhesive
- Mechanical fasteners (supplied by others)
- Pre-drilled mounting holes available



#### Optional hospital stop profile

- Specify requirements when ordering