

## CGD-150 Decorative Aluminum Corner Guard

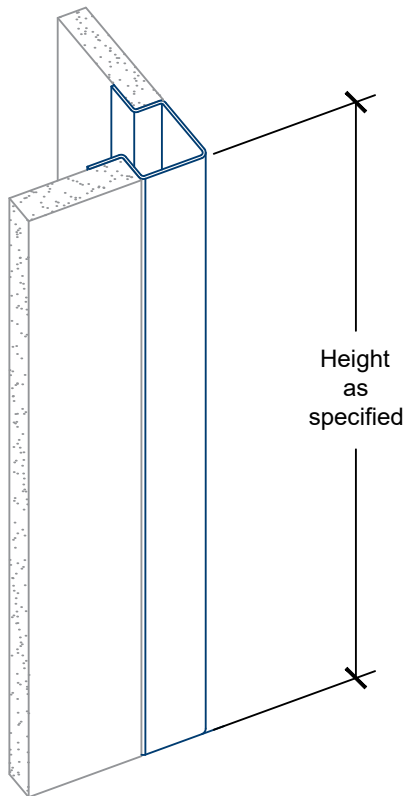
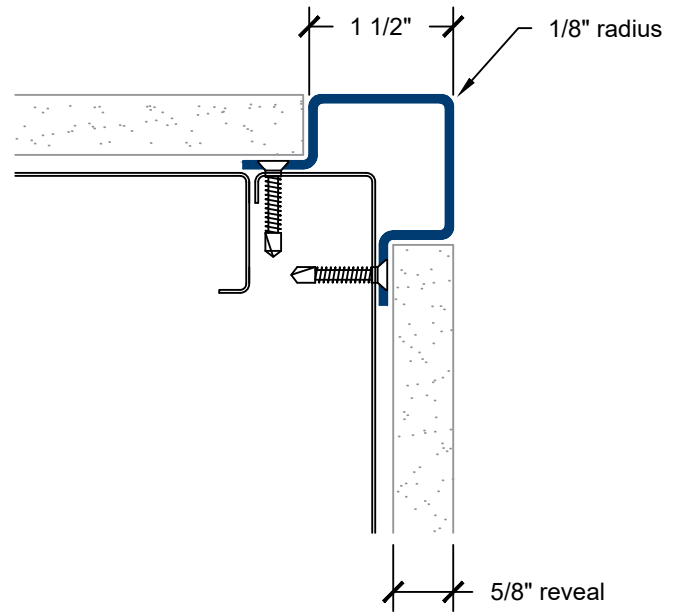
- .080-inch grade 5052 aluminum with wood grain powder coat finish
- Recessed mounting flanges
- 1 1/2-inch wing size
- 1/8-inch corner radius
- 90-degree angle
- Manufacturer's standard wood grains
- Custom lengths, angles, and wing sizes available
- Other finishes and thicknesses available

### Standard Lengths

- 48-inch
- 96-inch (max)

### Mounting Options

- Mechanical fasteners (supplied by others)
- Pre-drilled mounting holes available



### Spacing for pre-drilled countersunk holes

- 3-inches from ends
- Spaced equally not to exceed 36-inches