

## HRD-100 Decorative Stainless Steel Handrail

- 1 1/2-inch O.D. type 304 stainless steel handrail tubing with wood grain powder coat finish
- .050-inch wall thickness
- Stainless steel returns, corners, and brackets
- Manufacturer's standard wood grains
- Other accessory options available
- Other finishes available
- Custom lengths and angles available

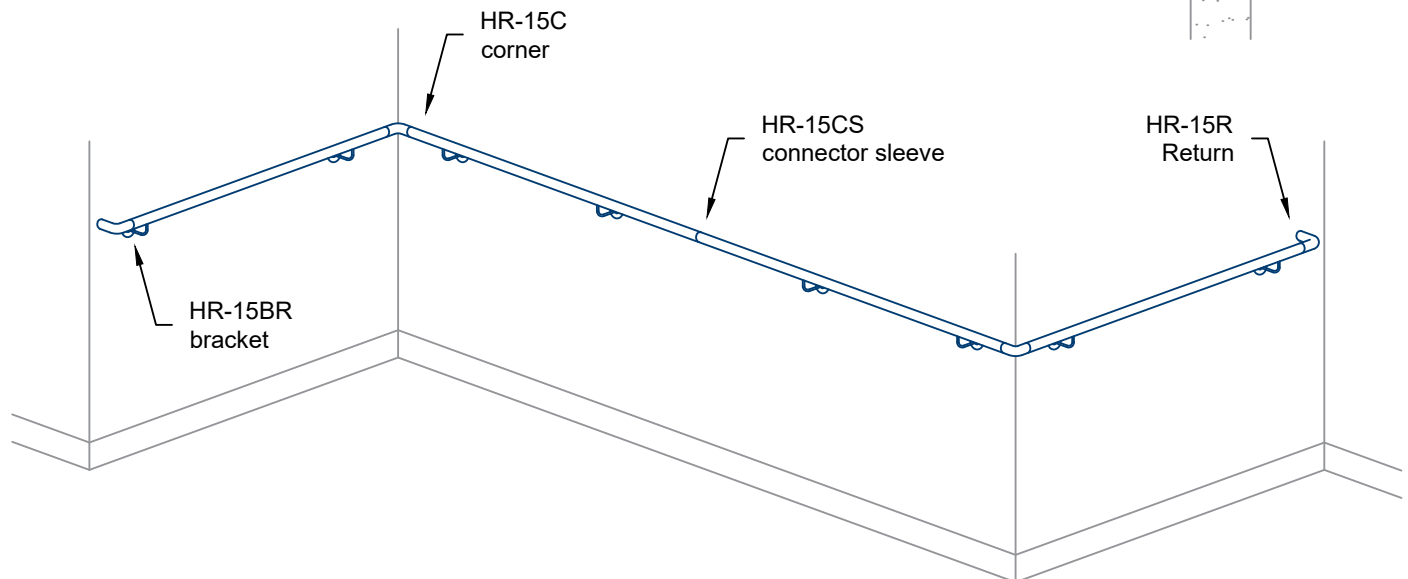
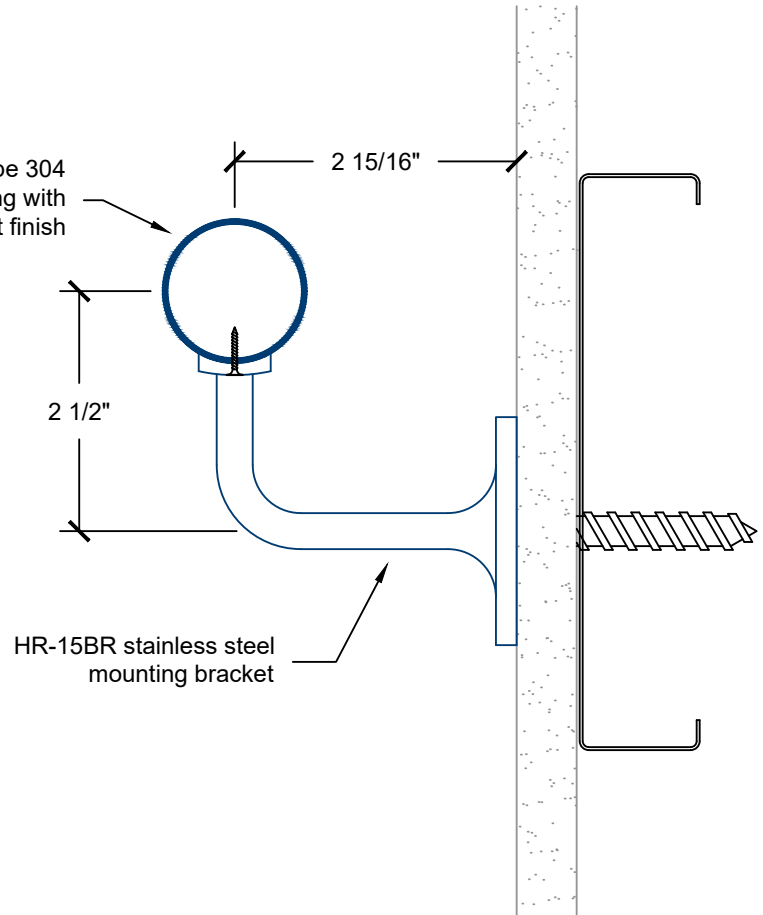
### Standard Lengths

- 96-inch stock lengths

### Mounting Options

- Mounting hardware included
- Ready to install
- Contact cement by others

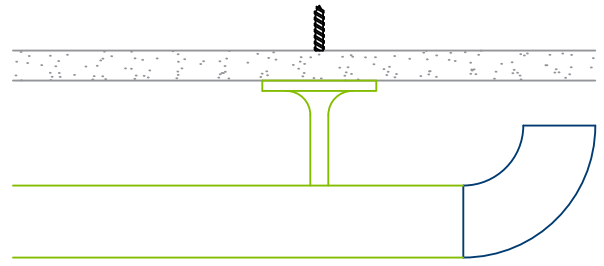
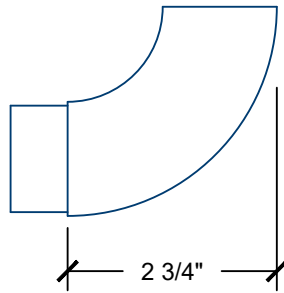
1 1/2-inch O.D. type 304 stainless steel tubing with wood grain powder coat finish



# HRD-100 Stainless Steel Handrail Fittings

**HR-15R return**

- Type 304 brushed stainless steel
- 2 3/4-inch wide
- 2 3/4-inch long
- Attach with contact cement



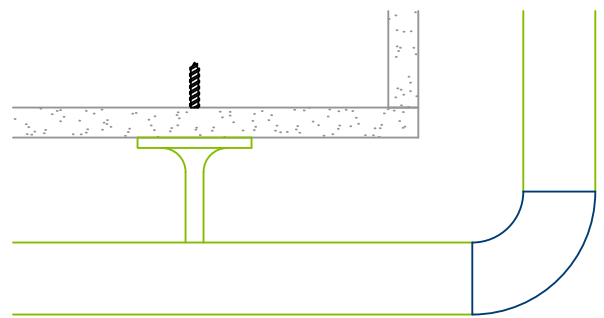
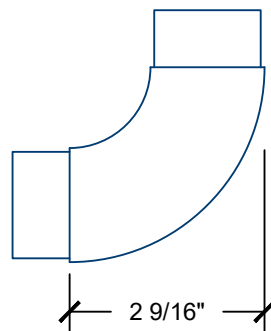
**HR-15R**

**Return**

**Installed view**

**HR-15C corner**

- Type 304 brushed stainless steel
- 2 9/16-inch wide
- 2 9/16-inch long
- Attach with contact cement



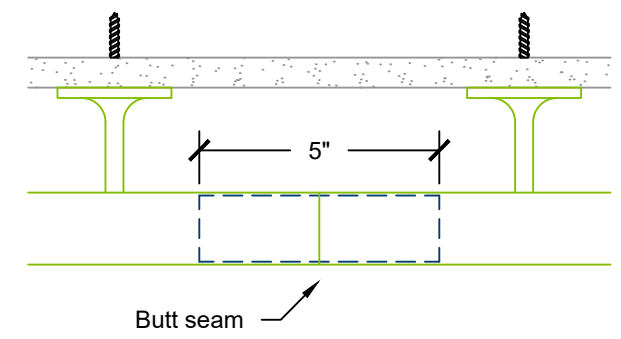
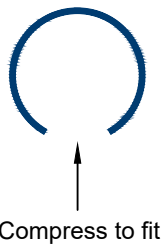
**HR-15C**

**Corner**

**Installed view**

**HR-15CS connector sleeve**

- Type 304 stainless steel
- 5-inch length
- Compress to fit in tubing
- Secure with contact cement



**HR-15CS**

**Connector Sleeve**

**Installed view**