

WPDA-60 Decorative Aluminum Wall Covering

- .063-inch aluminum with wood grain powder coat finish
- Wainscot or full height installation
- Trim and corner pieces available
- Manufacturer's standard wood grains
- Other thicknesses available

Standard Sheet Sizes

- 42-inch x 96-inch
- Max length 96-inches
- Custom sizes available

Mounting Options

- ADH-50 silicone sealant adhesive
- Mechanical fasteners (supplied by others)
- Pre-drilled mounting holes available

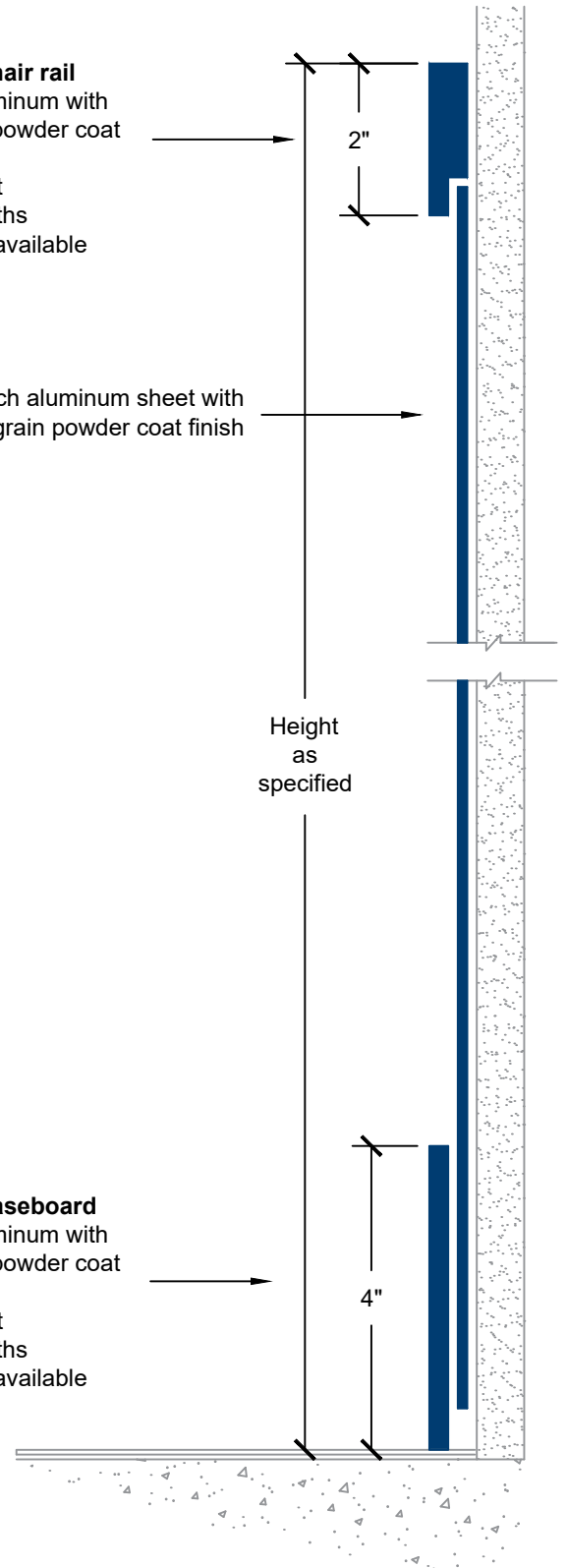
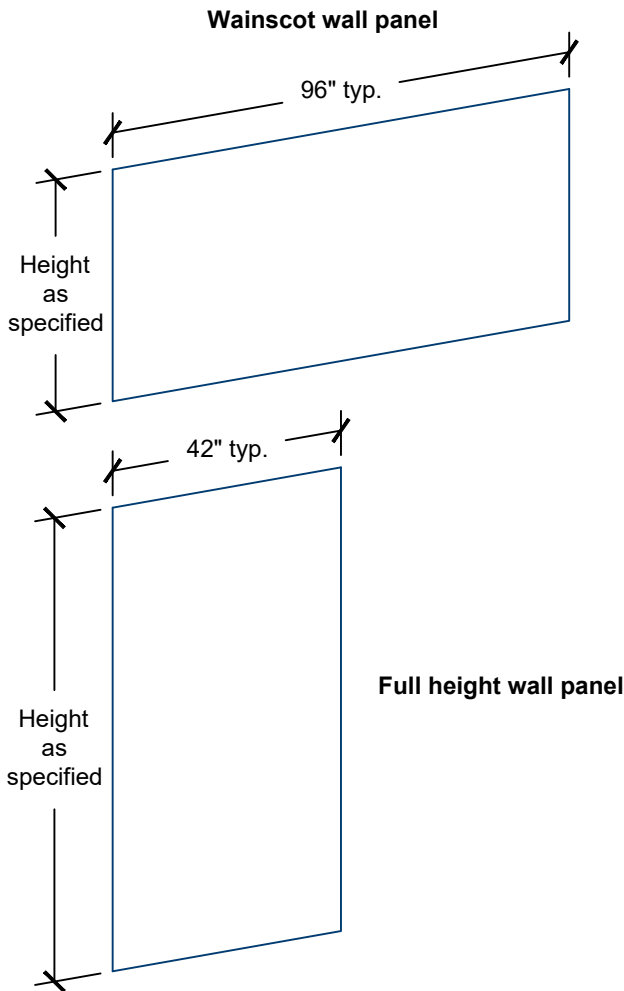
WPDA-60-CR-2 chair rail

- 1/4-inch aluminum with wood grain powder coat finish
- 2-inch height
- 96-inch lengths
- Other sizes available

.063-inch aluminum sheet with wood grain powder coat finish

WPDA-60-BB-4 baseboard

- 1/8-inch aluminum with wood grain powder coat finish
- 4-inch height
- 96-inch lengths
- Other sizes available



WPDA-60 Decorative Aluminum Wall Covering

- .063-inch aluminum with wood grain powder coat finish
- Wainscot or full height installation
- Trim and corner pieces available
- Manufacturer's standard wood grains
- Other thicknesses available

Standard Sheet Sizes

- 42-inch x 96-inch
- Max length 96-inches
- Custom sizes available

Mounting Options

- ADH-50 silicone sealant adhesive
- Mechanical fasteners (supplied by others)
- Pre-drilled mounting holes available

WPDA-60-ICG-252 inside corner

- 1/4-inch aluminum angle with wood grain powder coat finish
- 2-inch wing size
- Height as specified

WPDA-60-OCG-252 outside corner

- 1/4-inch aluminum angle with wood grain powder coat finish
- 2-inch wing size
- Height as specified

WPDA-60-JC-1252 joint cover

- 1/8-inch aluminum flat bar with wood grain powder coat finish
- 2-inch width
- Height as specified
- Required at all vertical seams

