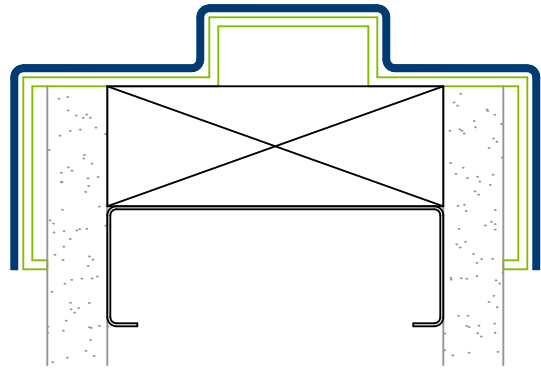


## SDDFC-60 Super Duty Door Frame Cover

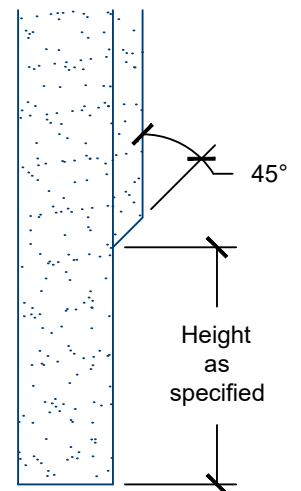
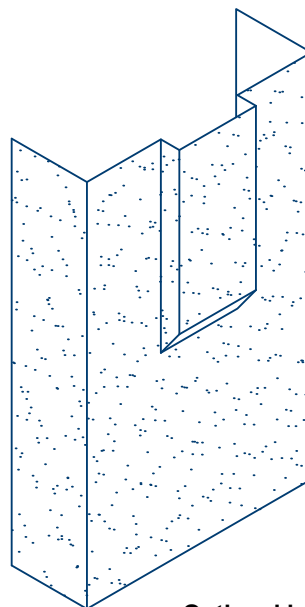
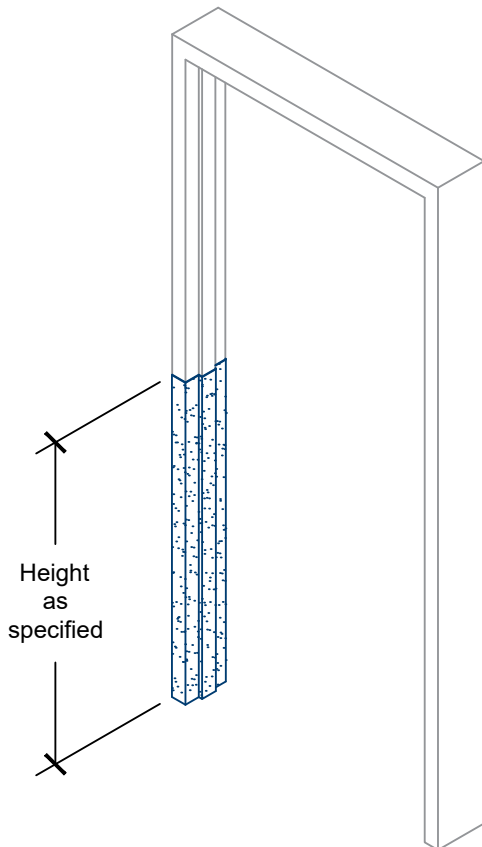
- .050-inch aluminum with super duty polyurea coating
- Custom-fabricated per field measurements
- Cut-outs for hinges and strikes available
- Hospital stop profiles available
- Full range of RAL colors available
- Other thicknesses available

Custom-fabricated  
.050-inch aluminum with  
super duty polyurea coating



### Mounting Options

- ADH-50 silicone sealant adhesive
- Mechanical fasteners (supplied by others)
- Pre-drilled mounting holes available



### Optional hospital stop profile

- Specify requirements when ordering