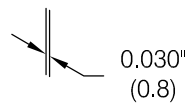
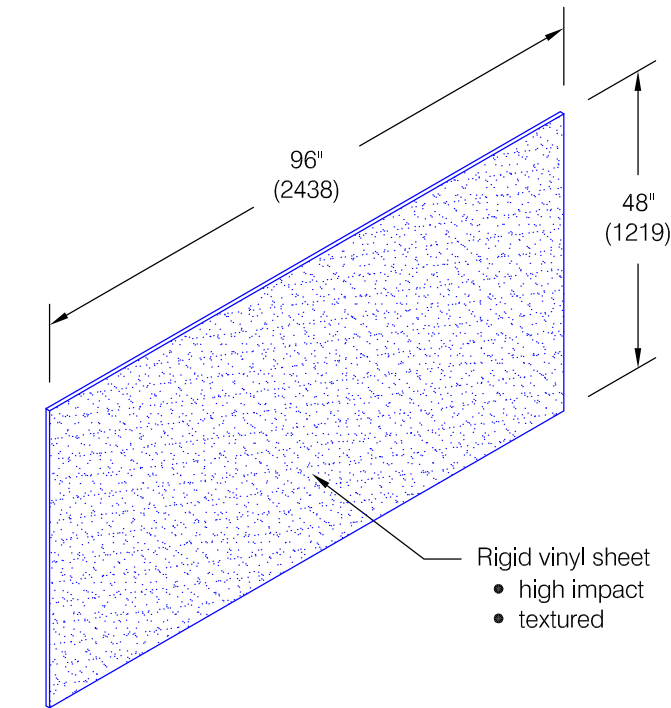


WC-30 Wall Covering



Features:

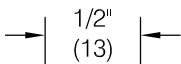
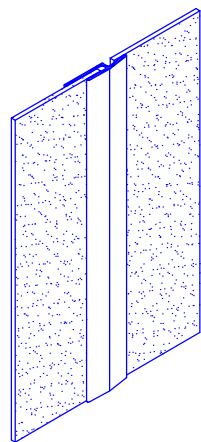
- Class A fire rating
- Heavier gauges available
- Stock size 4'-0" (1219) x 8'-0" (2438) sheets
- Custom sizes are available (minimums apply)

Finishes:

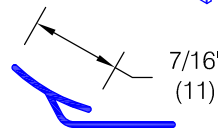
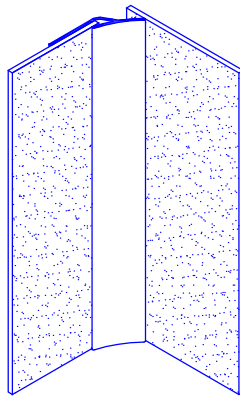
- Manufacturer's standard colors
- Custom colors available

Mounting Options:

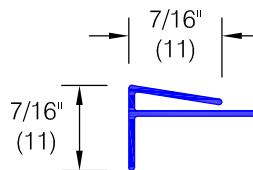
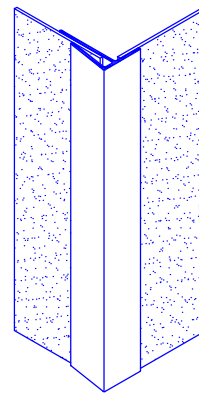
- Adhesive (supplied separately)
 - ADH-60 mastic adhesive
 - ADH-30 contact adhesive



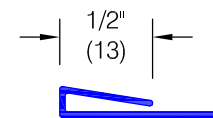
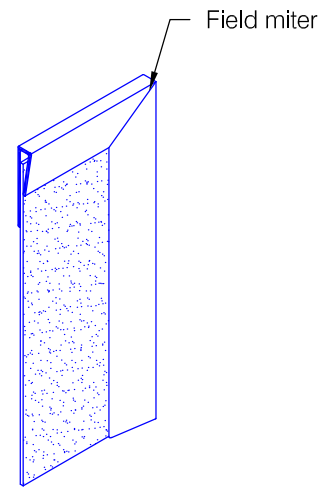
WC-99 Joint cover



WC-100 Inside corner (90 to 135 degrees)



WC-101 Outside corner



WC-98 Top cap/End cap

Customer :

Project :

Architect :

Sales Rep :

WD.64.0c