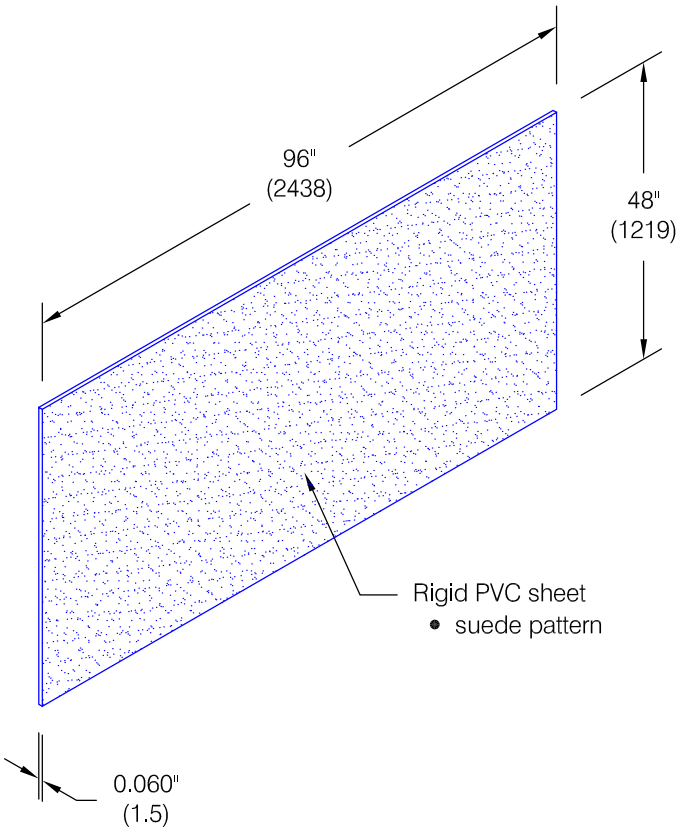


WCS-60 Wall Covering



Features:

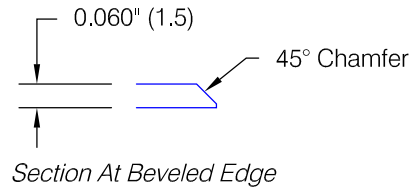
- Class A fire rating
- Heavier gauges available
- Stock size 4'-0" (1219) x 8'-0" (2438) sheets
- Custom sizes are available (minimums apply)

Finishes:

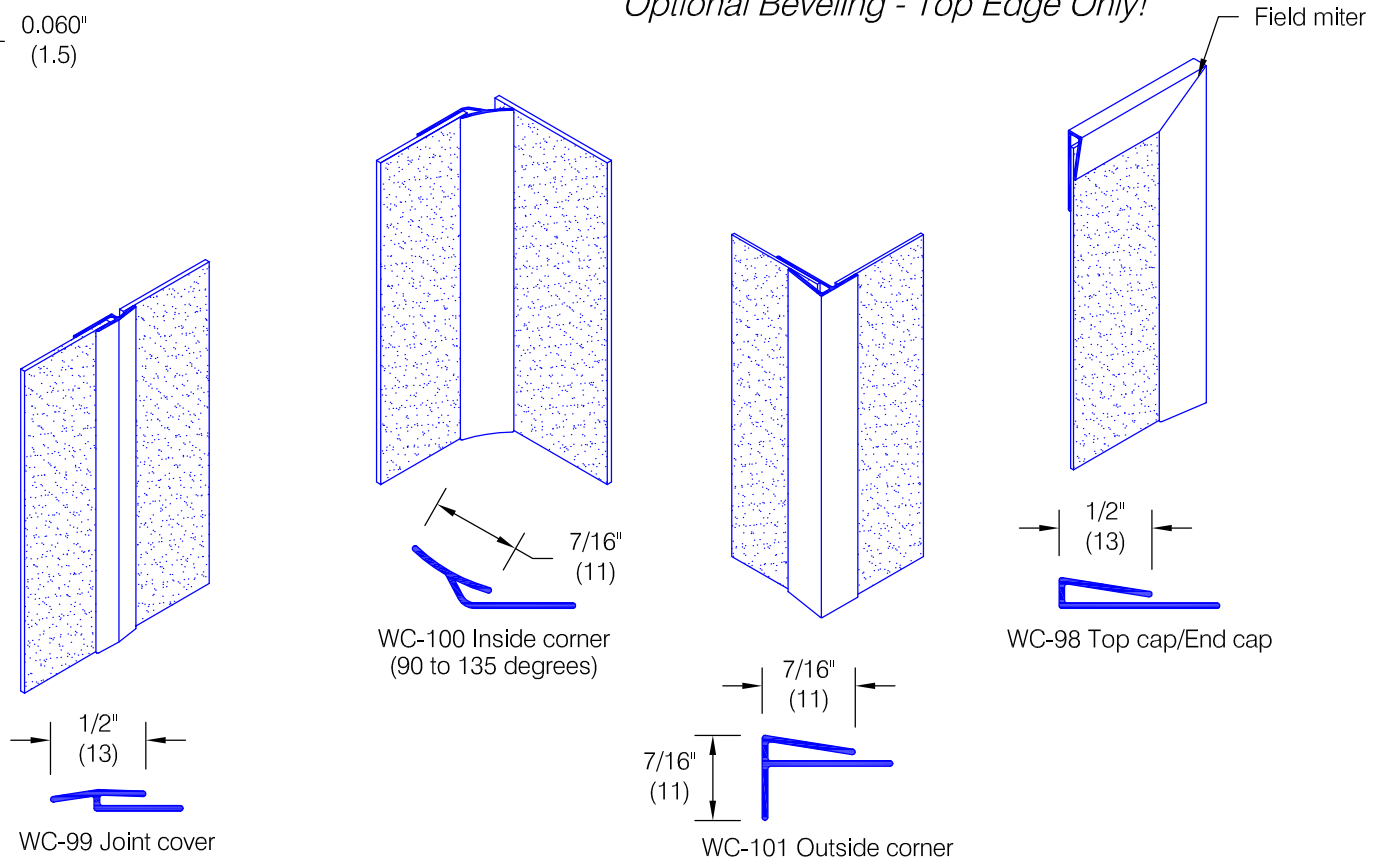
- Manufacturer's standard colors
- Custom colors available

Mounting Options:

- Adhesive (supplied separately)
 ADH-60 mastic adhesive
 ADH-30 contact adhesive



Optional Beveling - Top Edge Only!



Customer :	Project :	WD.66.2a
Architect :	Sales Rep :	