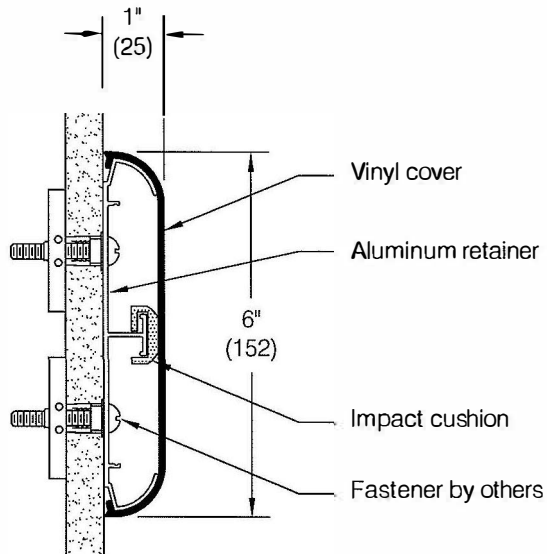
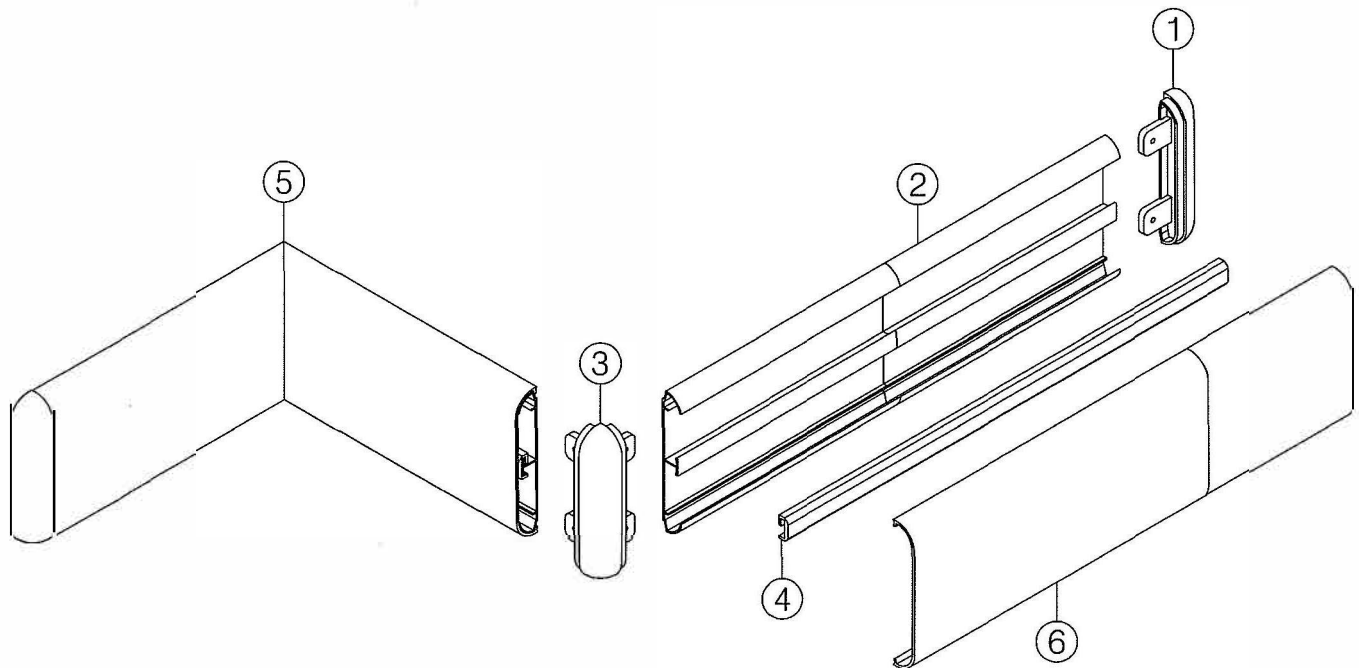


WG-6 Series Wall Guards



This installation instruction is applicable to:

WG-6
 WGG-6
 WGX-6



Component Part Numbers:

- 1.) ETC-6 left/right end cap
- 2.) WGA-6 aluminum retainer
- 3.) OTC-6 outside corner
- 4.) WGB-8 impact cushion
- 5.) Mitered corner
- 6.) Snap-on cover
 - WGV-6-12-XXX standard textured
 - WGVG-6-12-XXX grooved and textured
 - WGVX-6-12-XXX accent strips (5) and textured

- Step 1:** Determine top of wall guard and snap a chalk line 1/8" below to locate top of aluminum retainer, see **fig 1**.
Important: Store material in a clean dry place where the temperature is maintained above 50°F (10°C). Walls and rooms should be maintained at a minimum of 65°F (18°C) for at least 48 hours prior to installation. Acclimate materials to normal building conditions for at least 24 hours before cutting and installing.
- Step 2:** Cut aluminum retainer. See **Cutting Adjustment Diagrams and Schedule** for adjustments to aluminum retainer length at end caps and outside corners. Refer to **Minimum Layout Configurations** for additional information. Aluminum should be mitered to accommodate outside corners that are not 90° and all inside corners.
Important: All cuts must be square and deburred.
- Step 3:** Pre-drill clearance holes in aluminum retainer along V-Grooves provided using a #15 (.180") bit for #8 fastener or a #7 (.201") bit for #10 and 3/16" fasteners, see **fig 2**. Stagger mounting holes between upper and lower V-Grooves 16" on center such that fasteners are 32" on center along each groove. If necessary adjust spacing to accommodate studs. Do not pre-drill at locations that will interfere with installation of molded accessories.
Note: Drill point fasteners may be used without pre-drilling aluminum on drywall installations having continuous metal backer or studs. Continue to pre-drill at locations where no backing or stud is available.
- Step 4:** Pre-drill for attachment of molded accessories by inserting accessory in end of retainer. Press firmly to ensure molded part is seated squarely against the aluminum.
Drywall Installation: Using the accessory as a template pre-drill clearance holes for mounting through to metal backer or stud or pre-drill pilot holes using #29 (.136") bit for #8 fastener or a #21 bit (.159") for #10 fastener for attaching accessories directly to aluminum, see **fig 3**.
Masonry Installation: Using the accessory as a template pre-drill clearance holes at mounting locations, see **fig 3**.
- Step 5:** Install WGB-8-0-1 impact cushion by hooking it over the "T" support provided in the retainer, see **fig 4**.
- Step 6:** Fasten aluminum retainer to wall using hardware listed below. Align top edge of retainer with chalk line.
Important: Begin installation of aluminum at corners allowing for molded accessories. Use the appropriate accessory as a spacing template. See **Cutting Adjustment Diagrams and Schedule** for additional information. Do not fasten through holes pre-drilled for installation of molded accessories until accessories are installed in **step 7**.
Drywall Installation: Fasten aluminum retainer to wall using hardware listed below. If it is necessary to install fasteners in locations where there is no metal backing or stud use pre-drilled aluminum as a template to mark and drill wall for Toggler® brand toggle bolts or plastic Alligator® insert in accordance with instructions provided with hardware.
Masonry Installation: Using the pre-drilled aluminum as a template, mark and drill the wall at all pre-drilled holes to accept plastic Alligator® insert or 3/16" Tapcon® or similar fastener. Drill in accordance with instructions provided with hardware.
Suggested hardware :
- Drywall with metal backing : #8 or #10 Drill point drywall screw or #8 or #10 drill point pan head or hex washer head sheet metal screw.
 - Drywall without stud or backing : Plastic Alligator® insert with #8 or #10 pan head or hex washer head sheet metal screw or 3/16" Toggler® brand toggle bolts with pan head machine screw.
 - Masonry : Plastic Alligator® insert with #8 or #10 pan head or hex washer head sheet metal screw or 3/16" hex washer head Tapcon®.
- Step 7:** Secure accessory components in place using hardware selected in **step 6**.
Caution: Use of a flat washer at accessory mounting tabs is recommended to prevent damage to molded part caused by excessive tightening of the fastener.
- Step 8:** Measure between accessories and cut the WGV-6 vinyl cover accordingly. Miter cut the WGV-6 for all angles not accommodated by the molded accessories.
Important: All WGV-6 cuts must be square and deburred.
- Step 9:** Snap the WGV-6 cover in place.

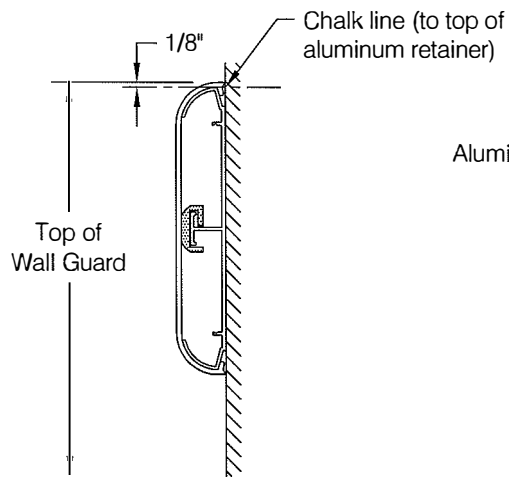


fig 1

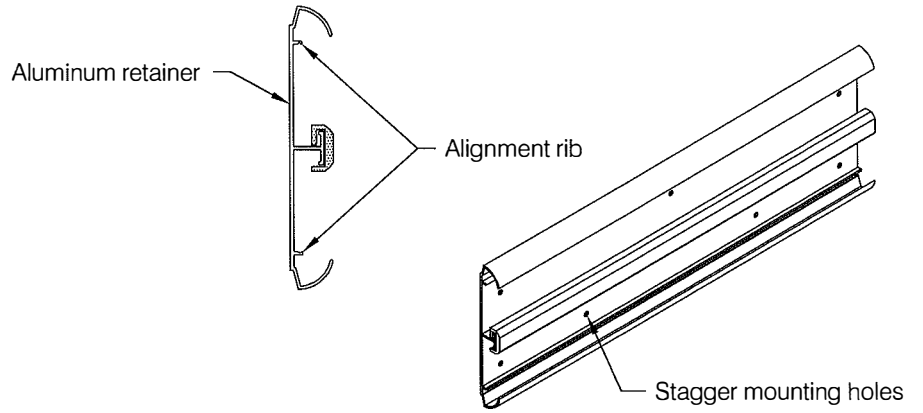


fig 2

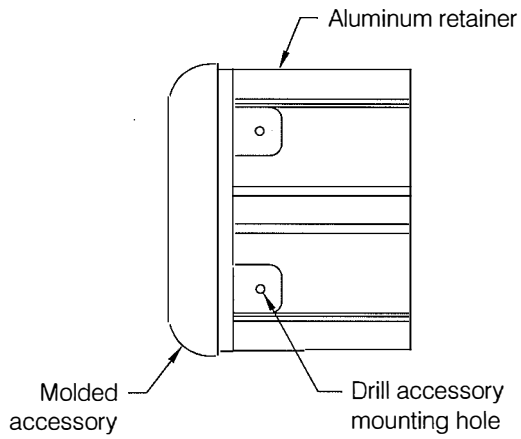


fig 3

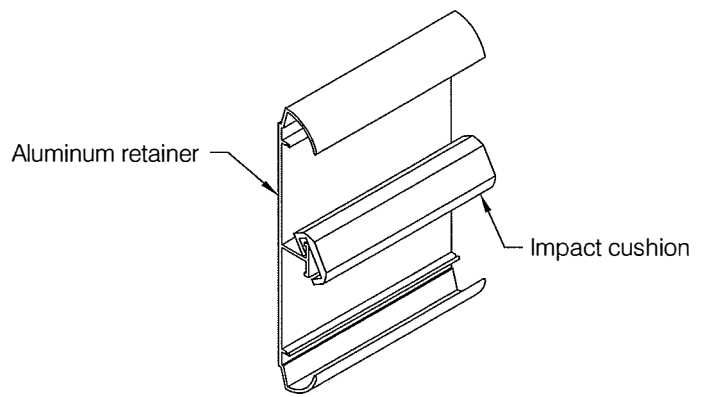
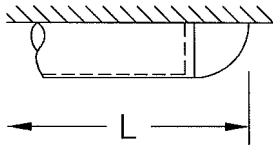
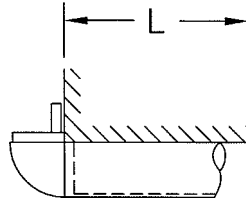


fig 4

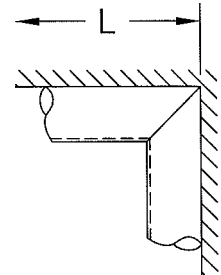
Cutting Adjustment Diagrams and Schedule



End Cap



Outside Corner



Inside Corner

| | Aluminum Retainer | Vinyl Cover |
|----------------|----------------------|----------------------|
| End Cap | L - 1 5/16" | L - 1" |
| Outside Corner | L - 5/16" | L - 0" |
| Inside Corner | L - 0" (field miter) | L - 0" (field miter) |

Important: install aluminum retainer and molded accessories before cutting the snap-on cover.

Minimum Layout Configurations

