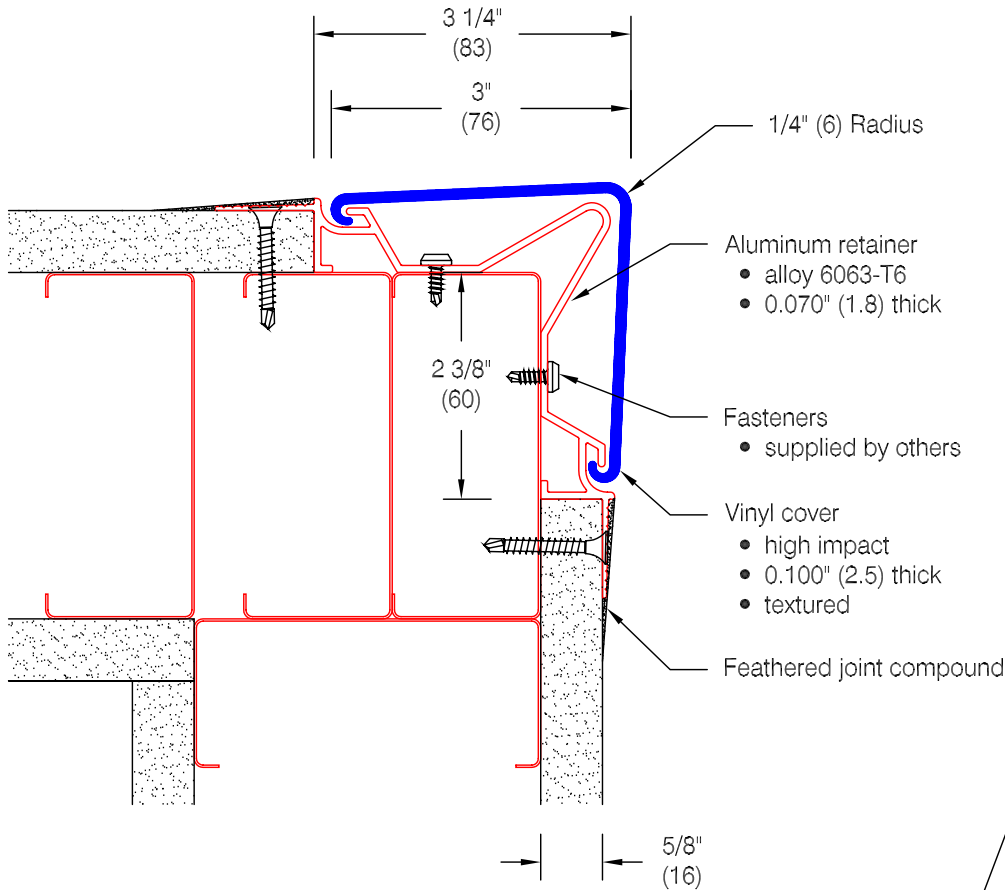


CGT-7 Corner Guard

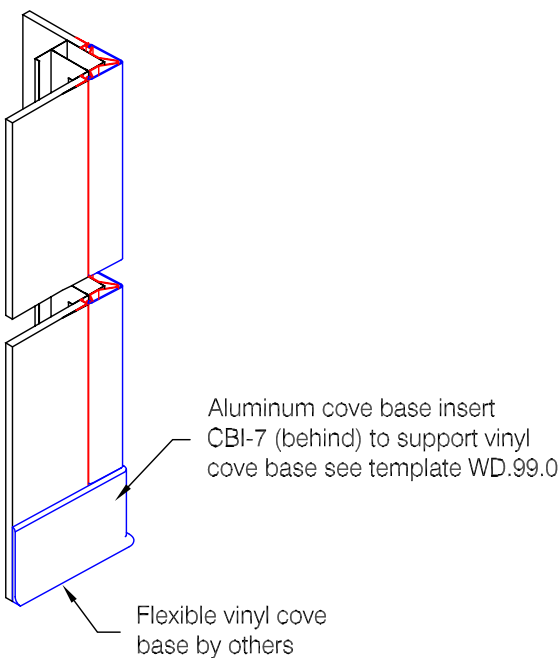


Features:

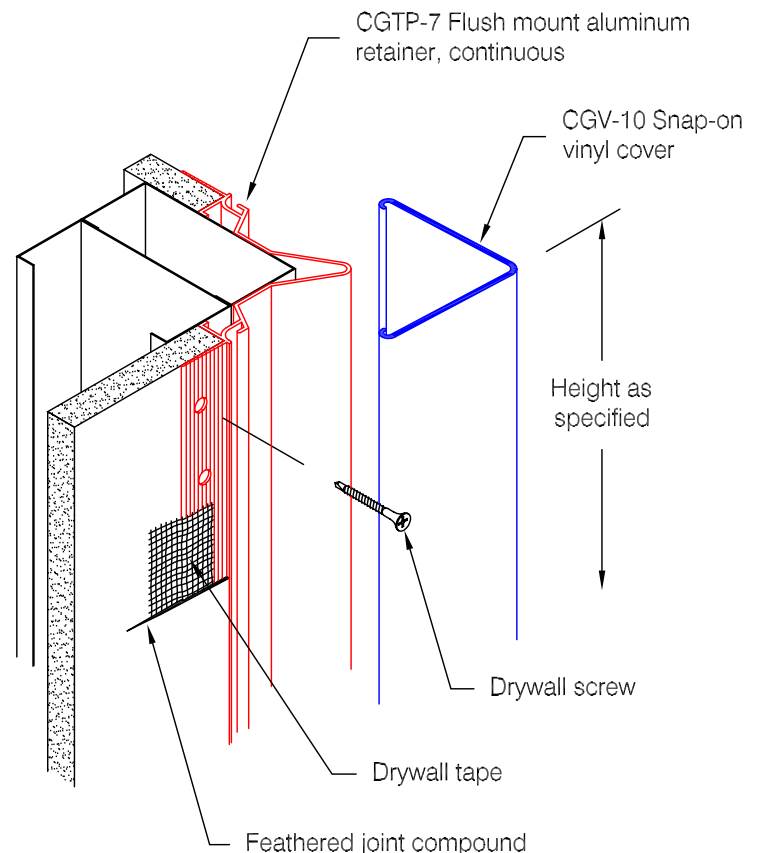
- Class A fire rating
- "Drop-in" installation follows completion of drywall mounting
- Stock lengths: 8'-0" (2438), 9'-0" (2743), 10'-0" (3048), and 12'-0" (3658)
- Custom cut lengths available
- Available with aluminum cove base insert for use with vinyl cove base standard in 4" (102) and 6" (152) heights

Finishes:

- Vinyl cover (textured)
- Manufacturer's standard colors
 - Custom colors available
- Aluminum retainer
- Mill finish aluminum



Optional Cove Base Insert



Customer :	Project :	WD.73.0b
Architect :	Sales Rep :	