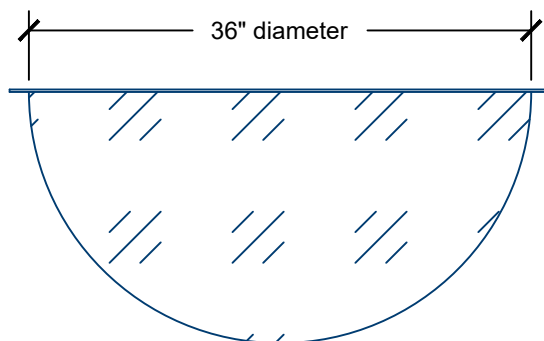
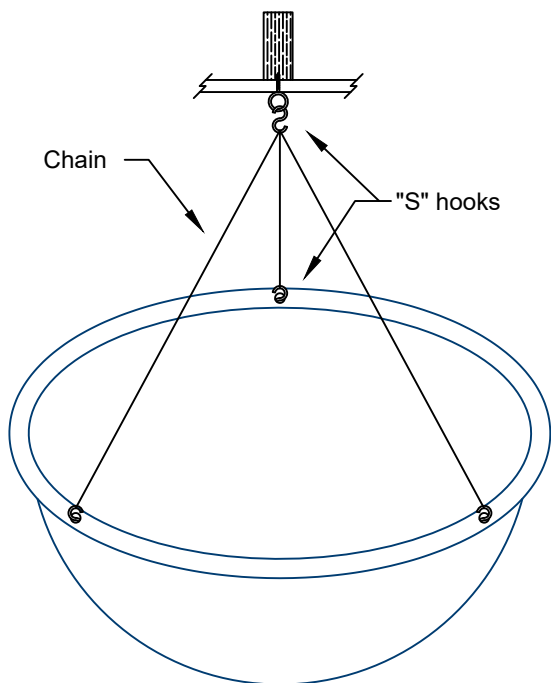
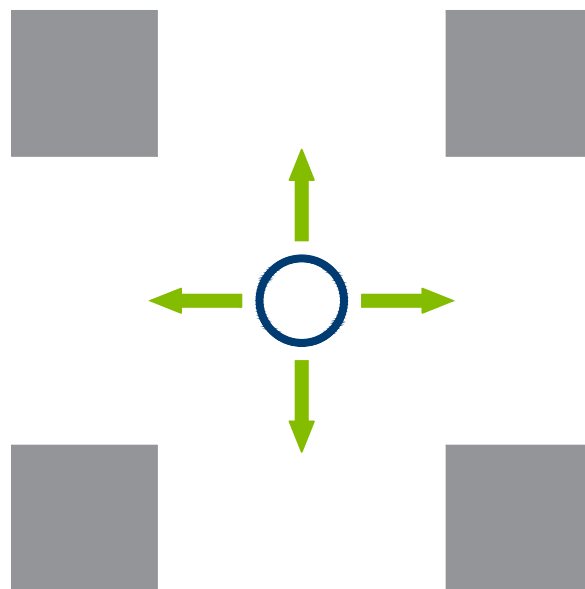


PV36-360 Full Dome Hemisphere Mirror

- Light-Weight acrylic with super bright image
- For areas up to 500 square feet
- Other diameters available
- Half and quarter domes available

Mounting Options

- Chain and "S" hooks included
- Ceiling attachment mechanism by others



PV36-360 full dome hemisphere mirror

- Light-Weight acrylic with super bright image
- For areas up to 500 square feet
- 36" diameter
- 360 degree view