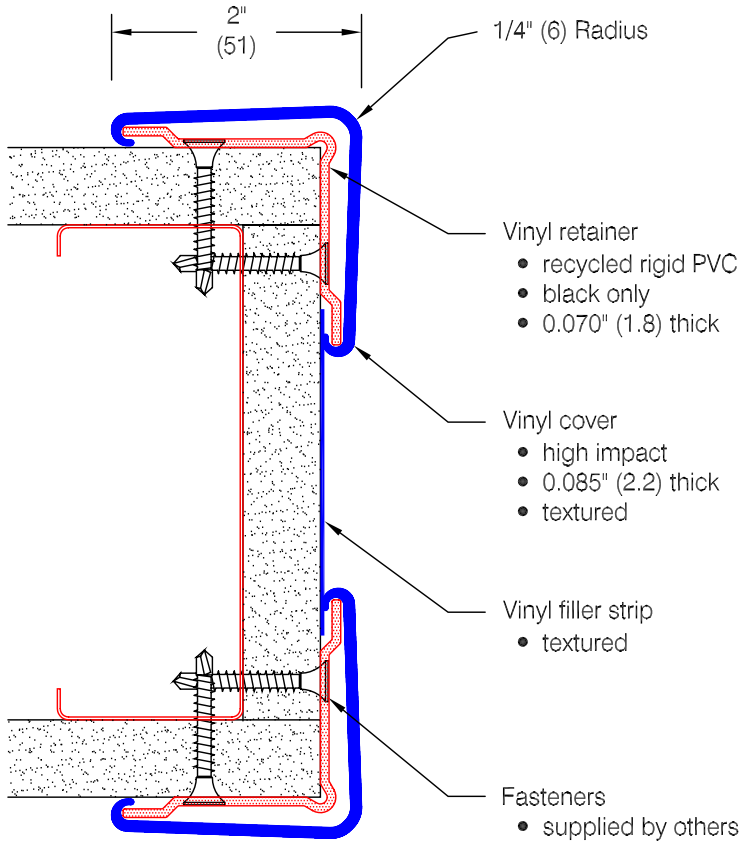


CG-11R Corner Guard

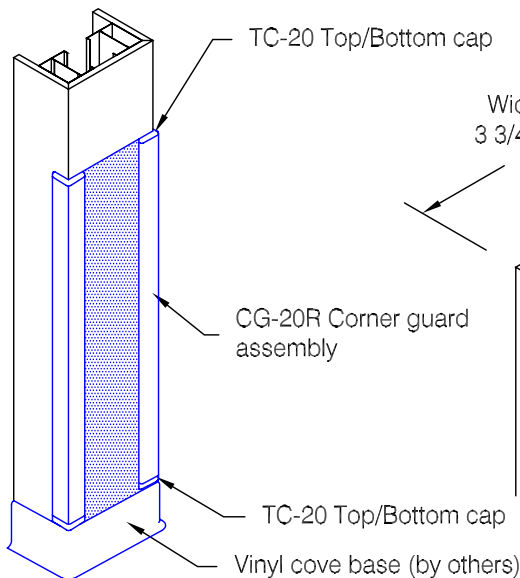


Features:

- Class A fire rating
- "Surface Mount" installation follows completion of drywall mounting
- Stock lengths: 4'-0" (1219), 8'-0" (2438), 9'-0" (2743), 10'-0" (3048), and 12'-0" (3658)
- Custom cut lengths available
- Available with textured top/bottom closure caps

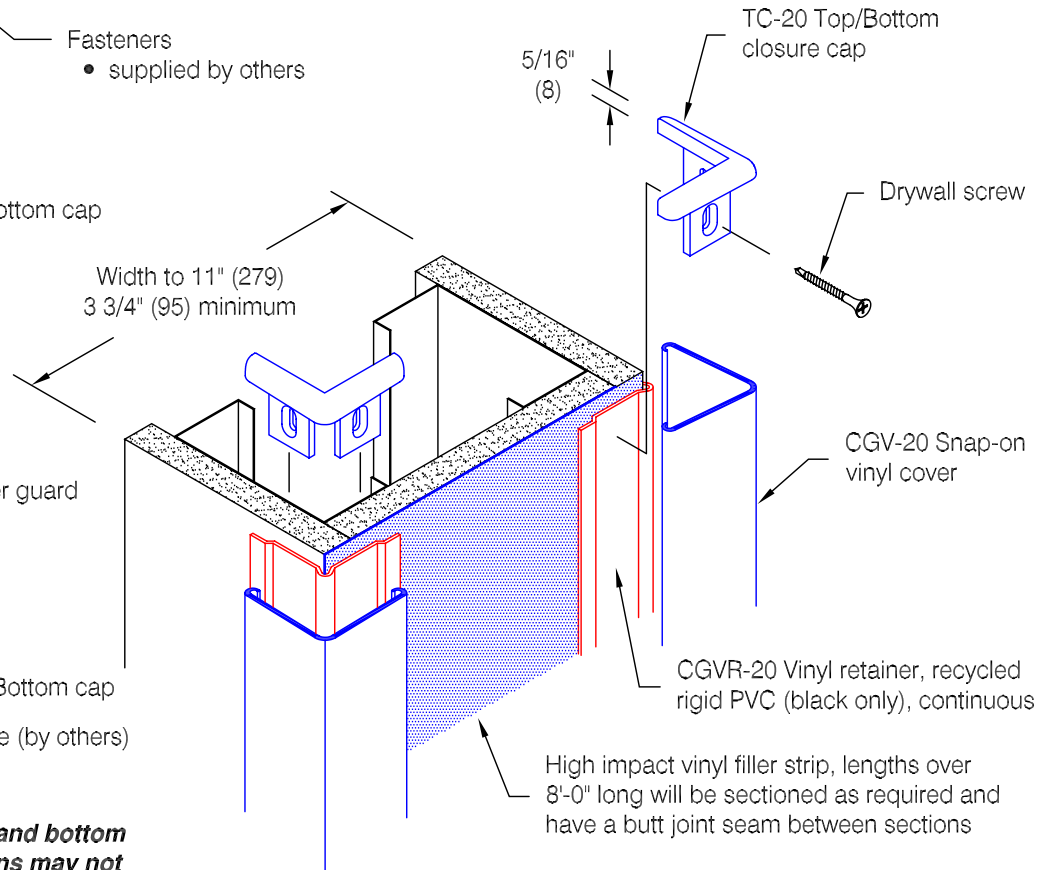
Finishes:

- Vinyl cover (textured)
- Manufacturer's standard colors
 - Custom colors available
- Vinyl retainer
- black only (recycled rigid PVC)



Application Diagram

* Partial height installation with top and bottom caps shown. Full height installations may not require top or bottom cap.



Customer :

Project :

Architect :

Sales Rep :

WD.108.1