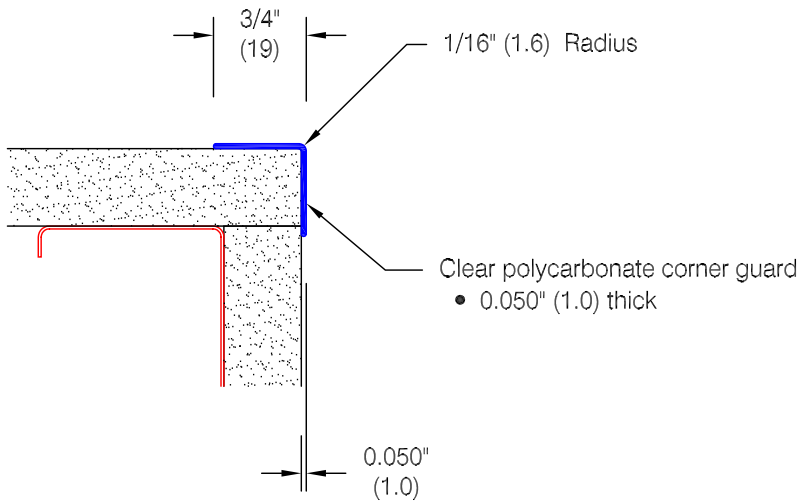


CG-16 Clear Polycarbonate Corner Guard



Features:

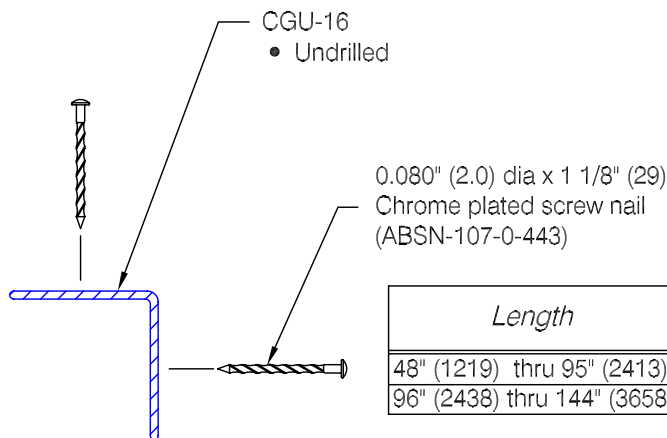
- Extruded Polycarbonate
- U/L 94 Flammability:
 - V-2 @ 0.125
 - V-2 @ 0.0625
 - V-0 @ 0.2500
- Stock lengths 4'-0" (1219) and 8'-0" (2438)
- Custom lengths available
- Mechanical fasteners

Finishes:

- Clear #132 Smooth Finish
- Manufacturer's standard colors (optional)

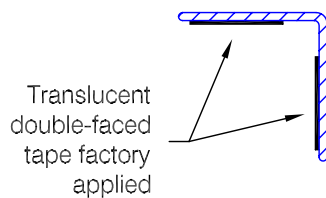
Mounting Options:

- Double-faced tape



Length	Total # of Screws
48" (1219) thru 95" (2413)	4
96" (2438) thru 144" (3658)	6

Standard Screw Nail Mounted



Optional Tape Mounted
 (Specify CGT-16)

