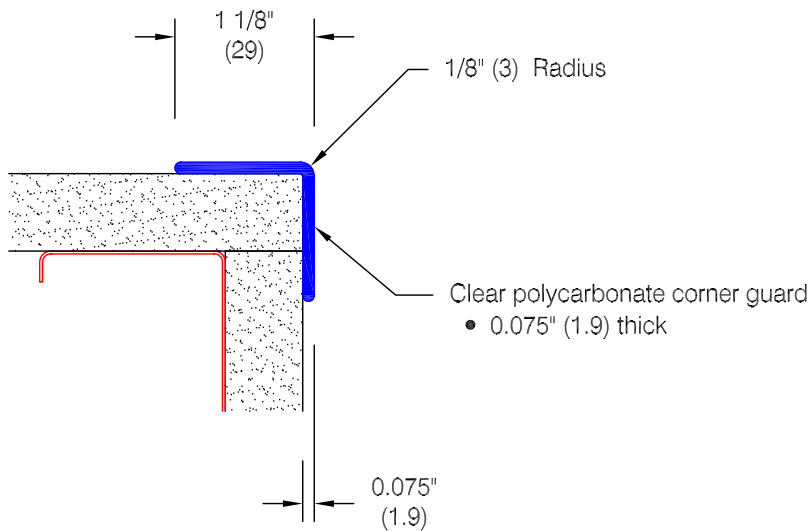


CG-17 Clear Polycarbonate Corner Guard



Features:

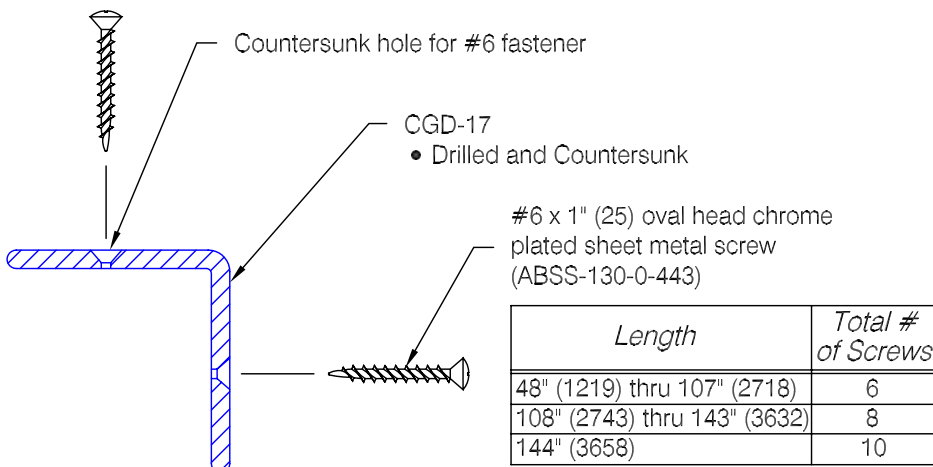
- Extruded Polycarbonate
- U/L 94 Flammability:
 - V-2 @ 0.125
 - V-2 @ 0.0625
 - V-0 @ 0.2500
- Stock lengths 4'-0" (1219) and 8'-0" (2438)
- Custom lengths available
- Mechanical fasteners

Finishes:

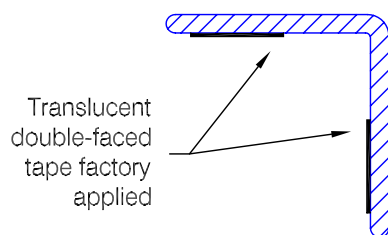
- Clear #132 Smooth Finish
- Manufacturer's standard colors (optional)

Mounting Options:

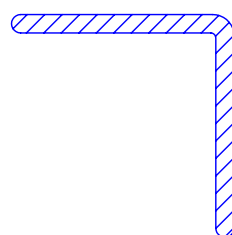
- Double-faced tape
- Undrilled (Fastening method by others)



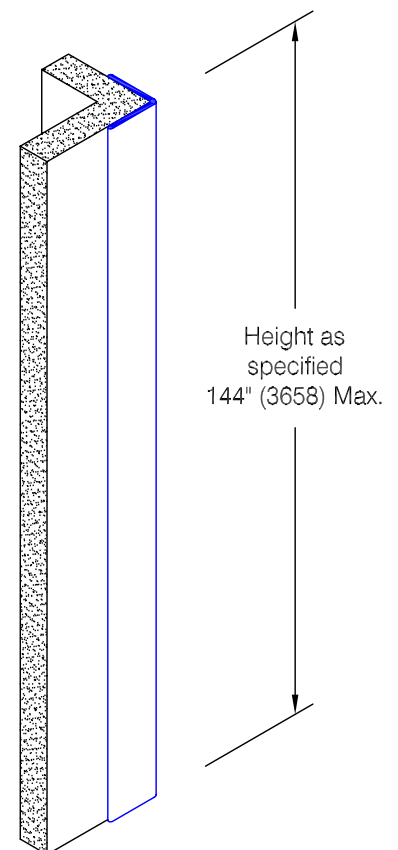
Standard Screw Mounted



Optional Tape Mounted
 (Specify CGT-17)



Optional Undrilled
 (Specify CGU-17)



Customer :	Project :	WD.114.0b
Architect :	Sales Rep :	