

# WPSD-12 Stainless Steel Diamond Plate Wall Covering

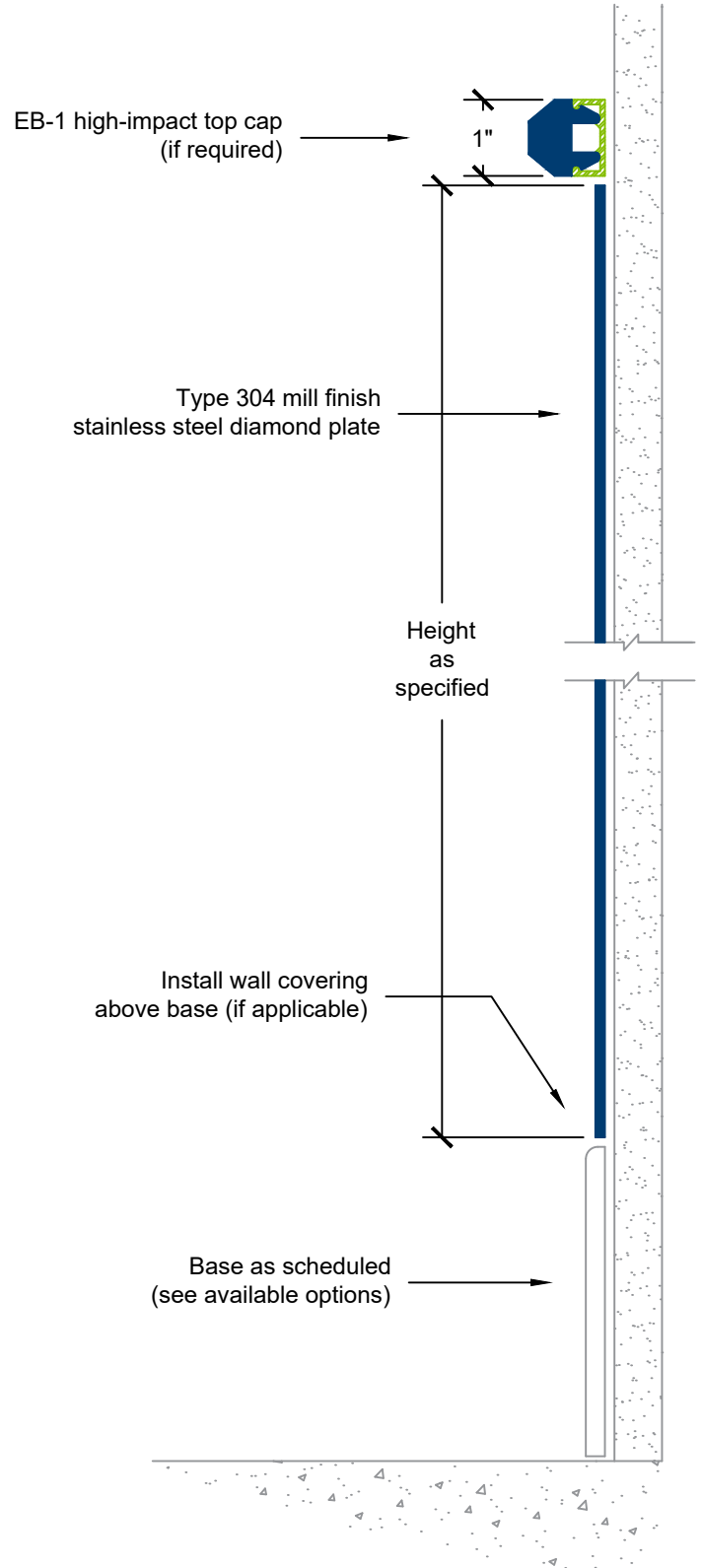
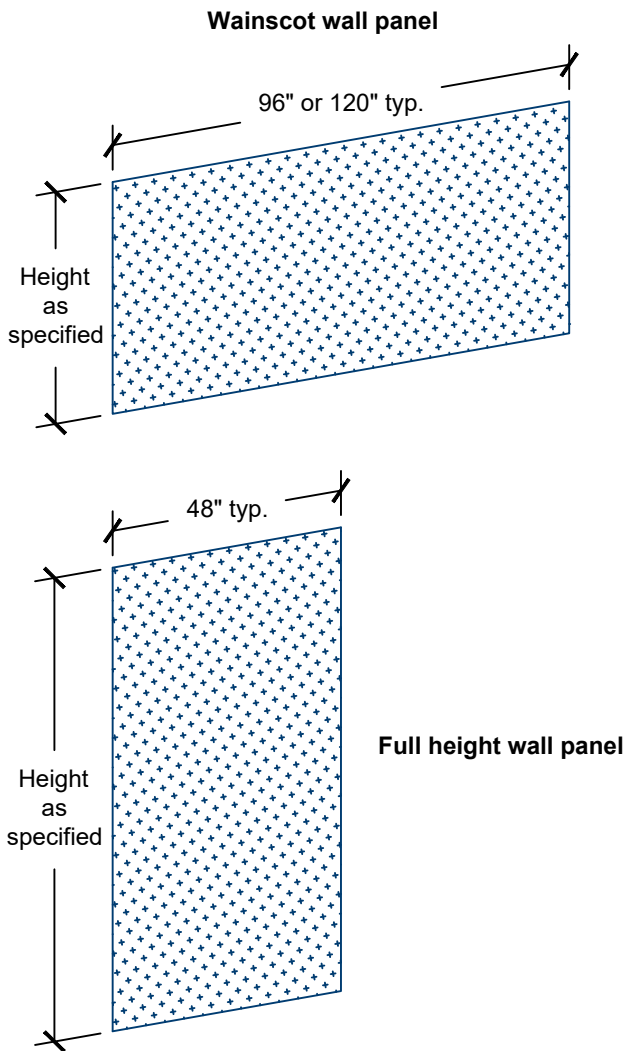
- Type 304 mill finish stainless steel diamond plate
- Wainscot or full height installation
- Butt seams
- Other stainless steel grades and finishes available

## Standard Sheet Sizes

- 48-inch x 96-inch
- 48-inch x 120-inch
- Custom sizes available

## Mounting Options

- ADH-50 silicone sealant adhesive
- Mechanical fasteners (supplied by others)
- Pre-drilled mounting holes available



# WPSD-12 Stainless Steel Diamond Plate Wall Covering

- Type 304 mill finish stainless steel diamond plate
- Wainscot or full height installation
- Butt seams
- Other stainless steel grades and finishes available

## Standard Sheet Sizes

- 48-inch x 96-inch
- 48-inch x 120-inch
- Custom sizes available

## Mounting Options

- ADH-50 silicone sealant adhesive
- Mechanical fasteners (supplied by others)
- Pre-drilled mounting holes available

### WPSD-12-ICG-50 inside corner

- Type 304 mill finish stainless steel diamond plate
- 2-inch wing size
- 1/8-inch corner radius
- Height as specified

### WPSD-12-OCG-50 outside corner

- Type 304 mill finish stainless steel diamond plate
- 3 1/2-inch wing size
- 1/8-inch corner radius
- Height as specified

### Butt seam joints

- All vertical seams butt together
- Seal with caulk if required

