

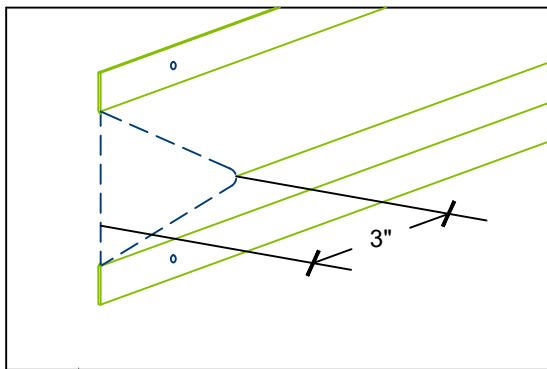
## BCR-4SS Stainless Steel Crash Rail

- Type 304 #4 finish stainless steel
- Welded ends that return to wall at 45-degree angle
- Mounts to wall through top and bottom flanges
- Custom-fabricated per field measurements
- Custom profiles available
- Other stainless steel grades and finishes available

### Mounting Options

- Mechanical fasteners (supplied by others)

16 gauge type 304 #4 finish stainless steel (standard)



Seamless welded ends return at 45° angle

