

CGAD-50 Aluminum Diamond Plate Corner Guard

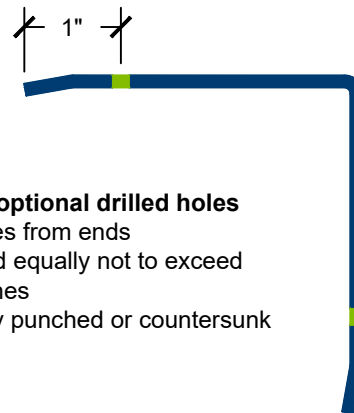
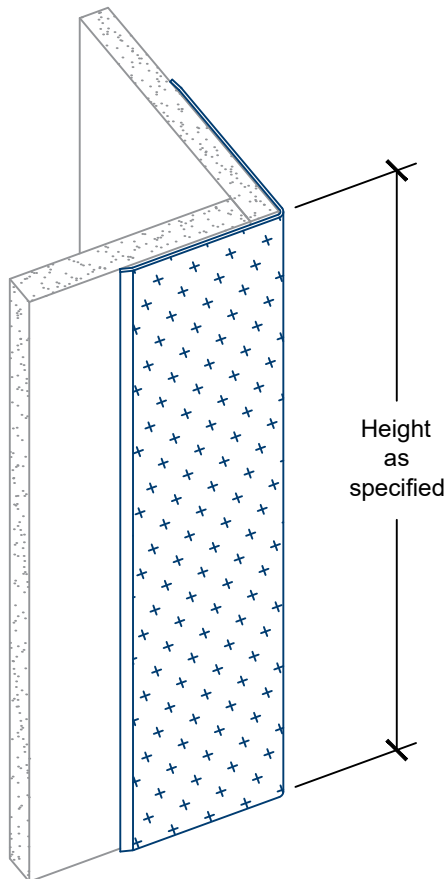
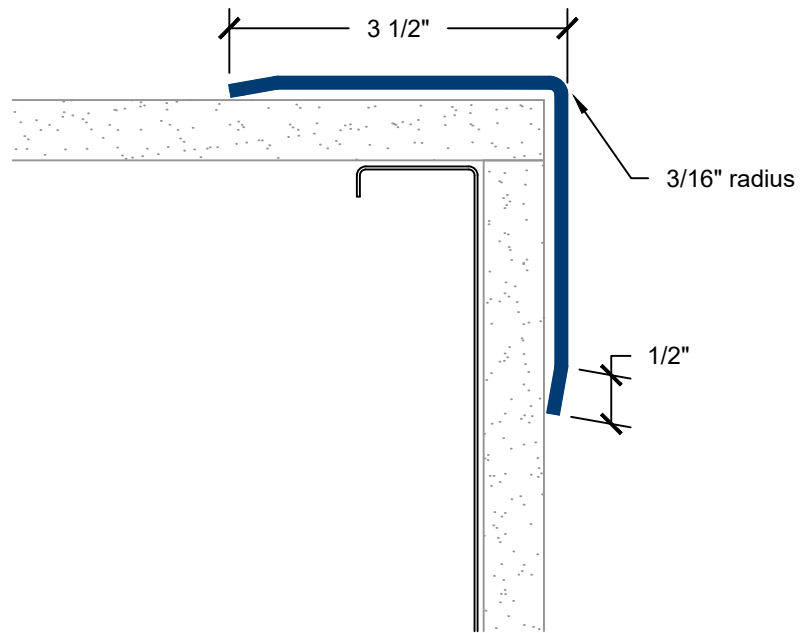
- Grade 3003 bright finish aluminum diamond plate
- 3 1/2-inch wing size
- 3/16-inch corner radius
- 90-degree angle
- Custom lengths, angles, and wing sizes available
- Other aluminum grades and finishes available

Standard Lengths

- 48-inch
- 96-inch
- 120-inch

Mounting Options

- ADH-50 adhesive
- Mechanical fasteners (supplied by others)
- Pre-drilled mounting holes available



Spacing for optional drilled holes

- 3-inches from ends
- Spaced equally not to exceed 36-inches
- Specify punched or countersunk holes