

## CGAM-50 Antimicrobial Corner Guard

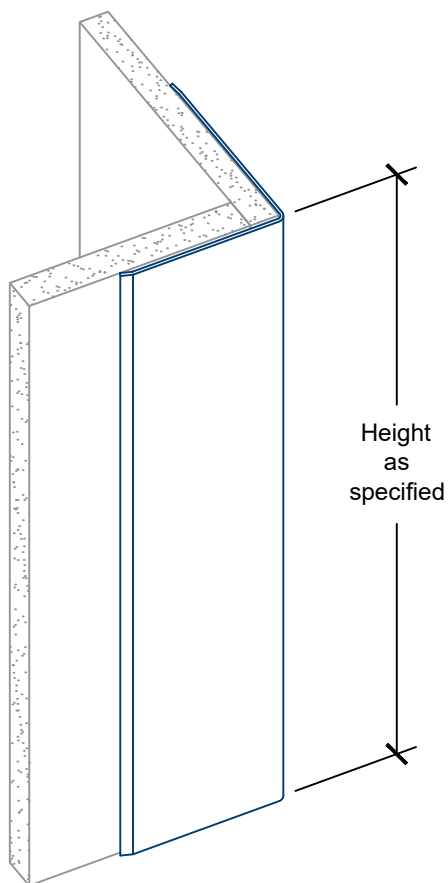
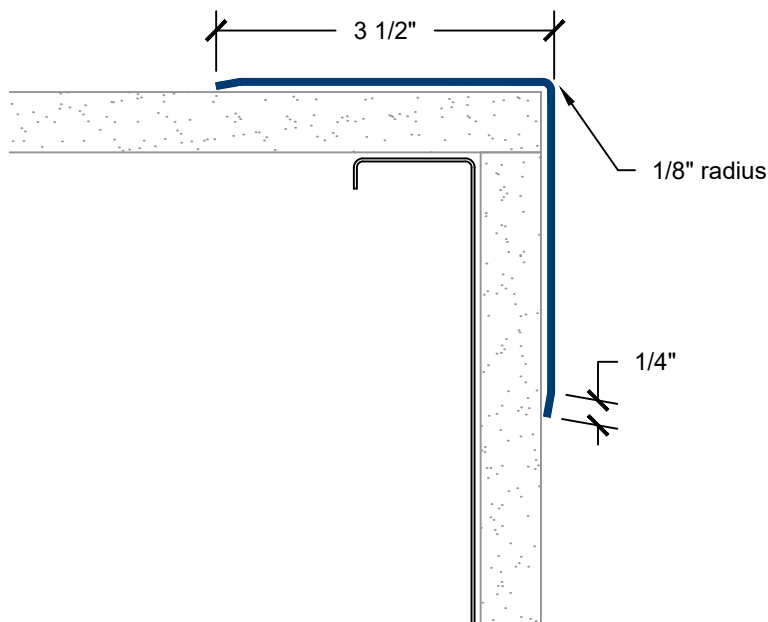
- .063-inch aluminum with antimicrobial powder coat finish
- 3 1/2-inch wing size
- 1/8-inch corner radius
- 90-degree angle
- Full range of RAL colors available
- Custom lengths, angles, and wing sizes available
- Other thicknesses available

### Standard Lengths

- 48-inch
- 96-inch
- 120-inch

### Mounting Options

- ADH-50 adhesive
- Mechanical fasteners (supplied by others)
- Pre-drilled mounting holes available



### Spacing for optional drilled holes

- 3-inches from ends
- Spaced equally not to exceed 36-inches
- Specify punched or countersunk holes