

## CGD-402 Decorative Aluminum Corner Guard

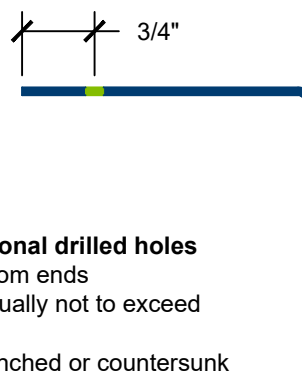
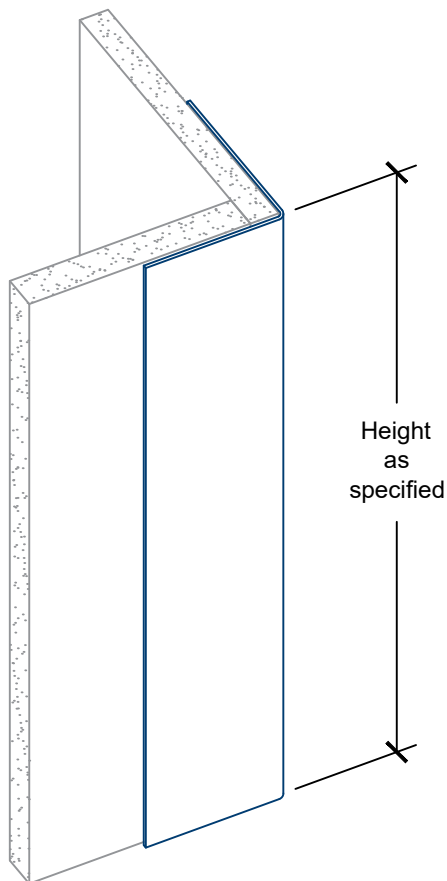
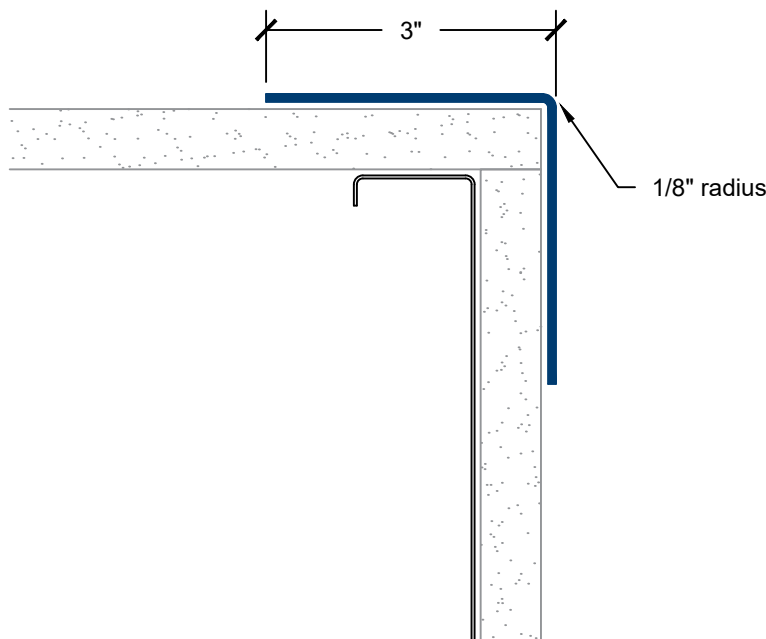
- .080-inch aluminum with wood grain powder coat finish
- 3-inch wing size
- 1/8-inch corner radius
- 90-degree angle
- Manufacturer's standard wood grains
- Custom lengths, angles, and wing sizes available
- Other finishes and thicknesses available

### Standard Lengths

- 48-inch
- 96-inch (max)

### Mounting Options

- ADH-50 adhesive
- Mechanical fasteners (supplied by others)
- Pre-drilled mounting holes available



### Spacing for optional drilled holes

- 3-inches from ends
- Spaced equally not to exceed 36-inches
- Specify punched or countersunk holes