

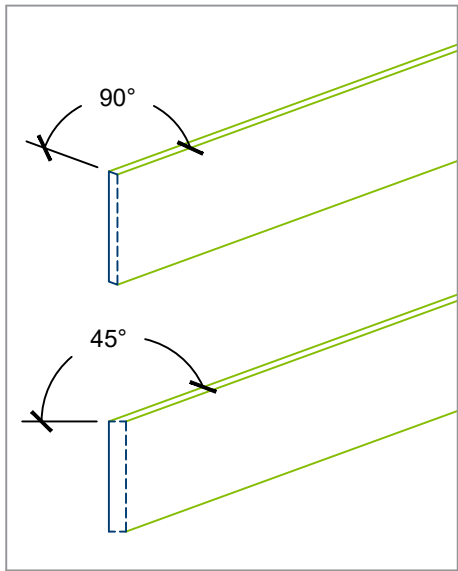
# CRS-10SSW Welded Stainless Steel Crash Rail

- Type 304 #4 finish stainless steel
- Continuous wood retainer
- Supplied in custom lengths with seamless welded ends
- Custom sizes available
- Other stainless steel grades and finishes available

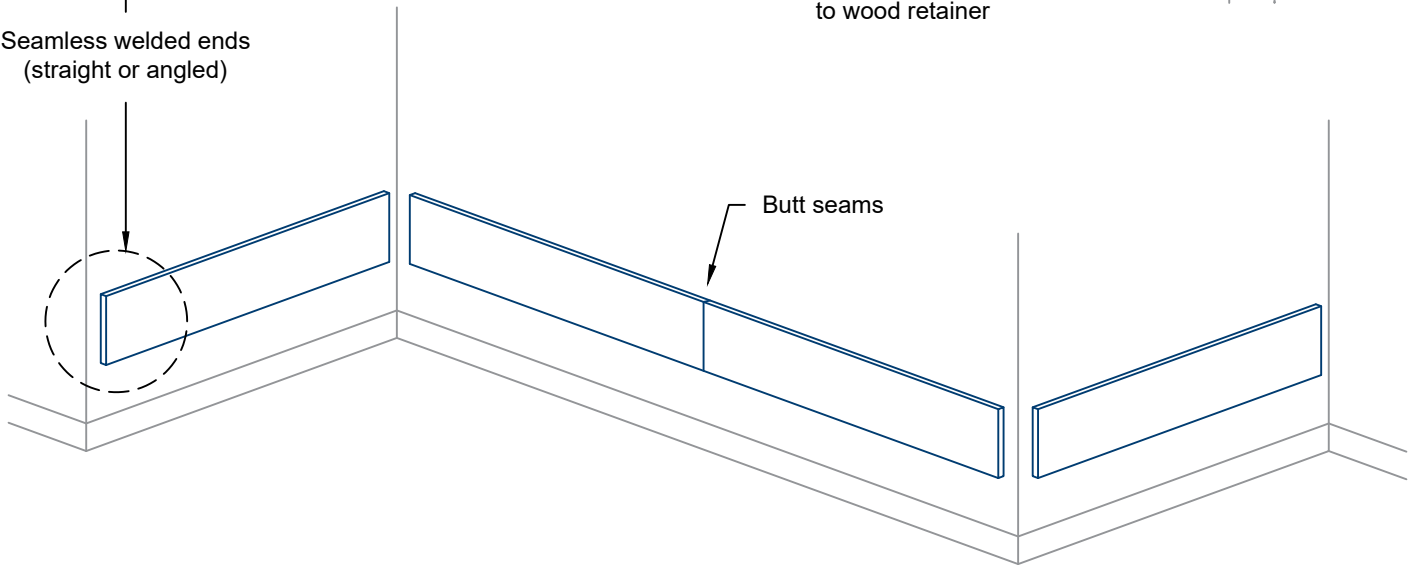
## Mounting Options

- Mechanical fasteners (supplied by others)

16 gauge type 304 #4 finish stainless steel cover (standard)



Seamless welded ends (straight or angled)



Continuous wood retainer

Secures stainless steel cover to wood retainer

