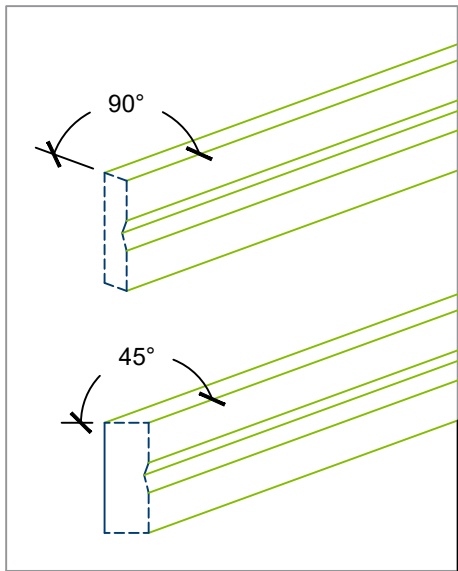


## CRS-200W Welded Stainless Steel Crash Rail

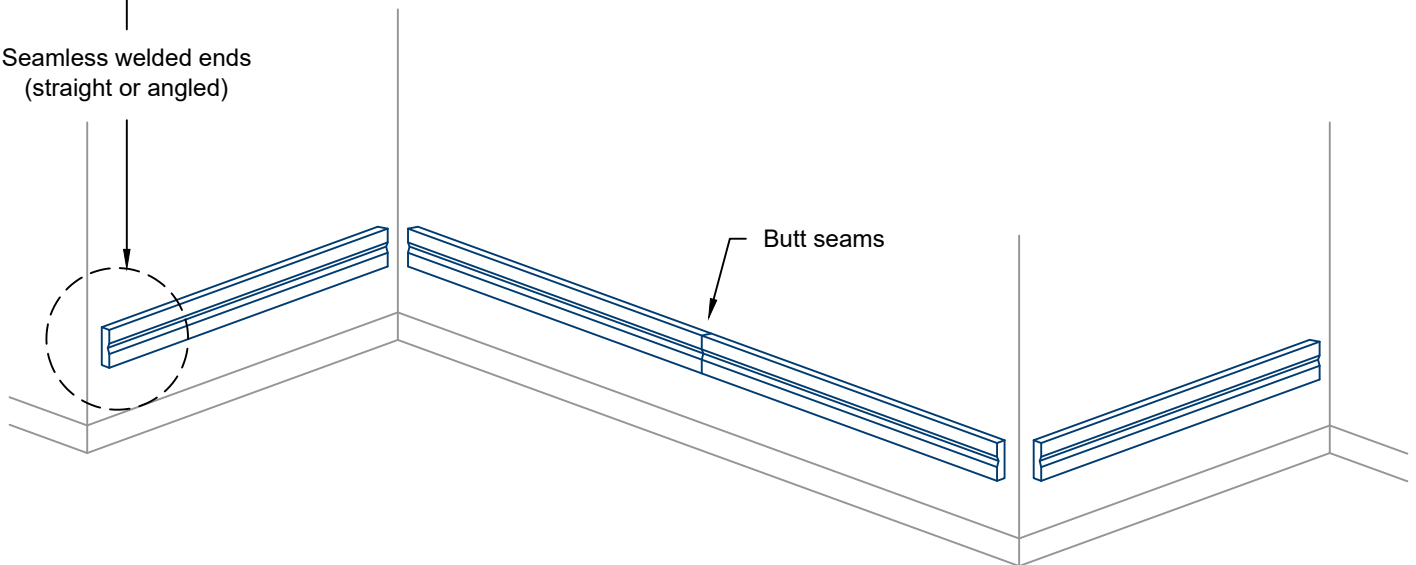
- Type 304 #4 finish stainless steel
- Stainless steel mounting brackets
- Supplied in custom lengths with seamless welded ends
- Custom sizes available
- Other stainless steel grades and finishes available

### Mounting Options

- Mechanical fasteners (supplied by others)



Seamless welded ends  
(straight or angled)



16 gauge type 304 #4 finish  
stainless steel cover (standard)

