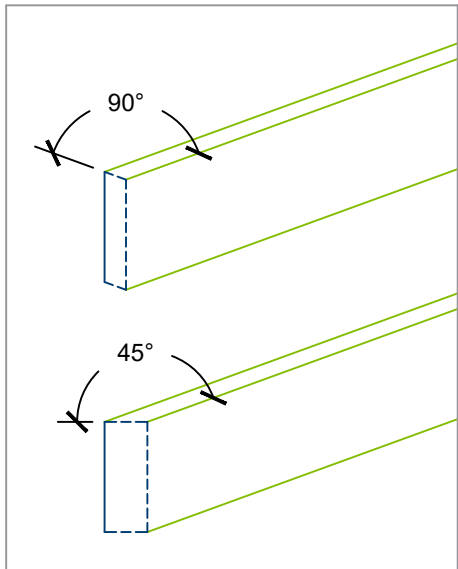


CRS-4SSW Welded Stainless Steel Crash Rail

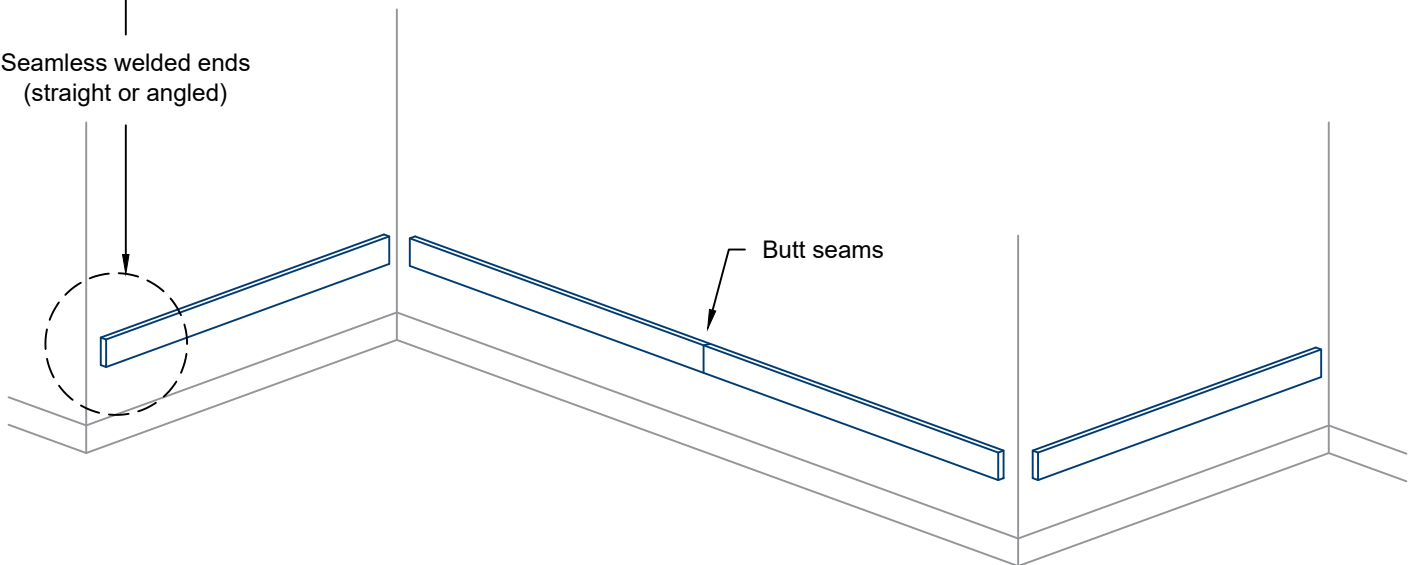
- Type 304 #4 finish stainless steel
- Continuous wood retainer
- Supplied in custom lengths with seamless welded ends
- Custom sizes available
- Other stainless steel grades and finishes available

Mounting Options

- Mechanical fasteners (supplied by others)



Seamless welded ends
(straight or angled)



16 gauge type 304 #4 finish
stainless steel cover (standard)

Continuous wood retainer

Secures stainless steel cover
to wood retainer

