

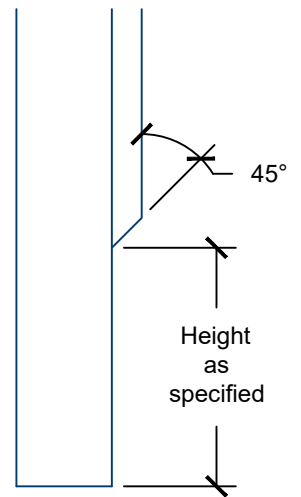
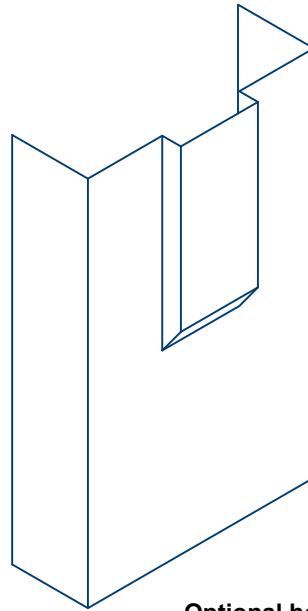
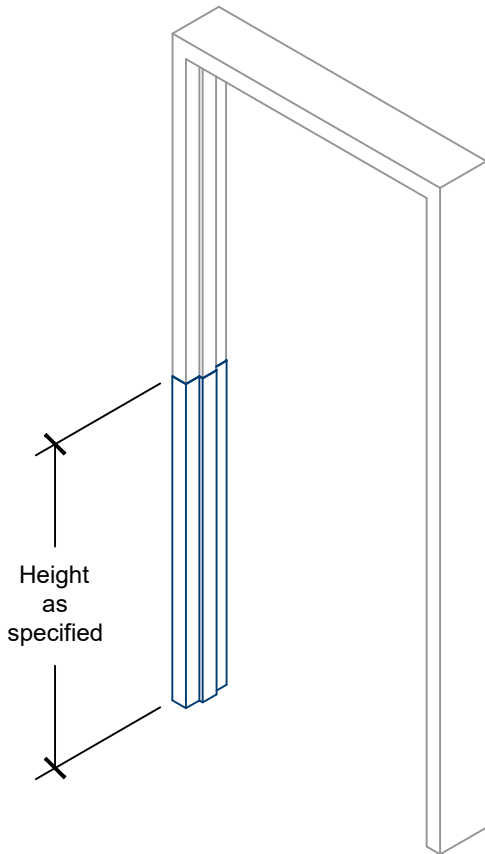
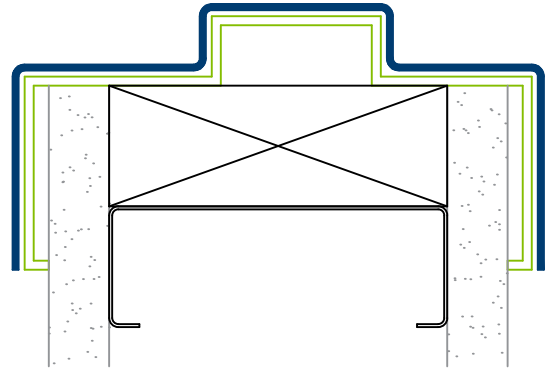
## DDFC-60 Decorative Aluminum Door Frame Cover

- .063-inch aluminum with wood grain powder coat finish
- Custom-fabricated per field measurements
- Cut-outs for hinges and strikes available
- Hospital stop profiles available
- Manufacturer's standard wood grains
- Other thicknesses available

### Mounting Options

- ADH-50 adhesive
- Mechanical fasteners (supplied by others)
- Pre-drilled mounting holes available

Custom-fabricated  
.063-inch aluminum with  
wood grain powder coat finish



### Optional hospital stop profile

- Specify requirements when ordering