

## DES-193 Stainless Steel Door Edge Guard

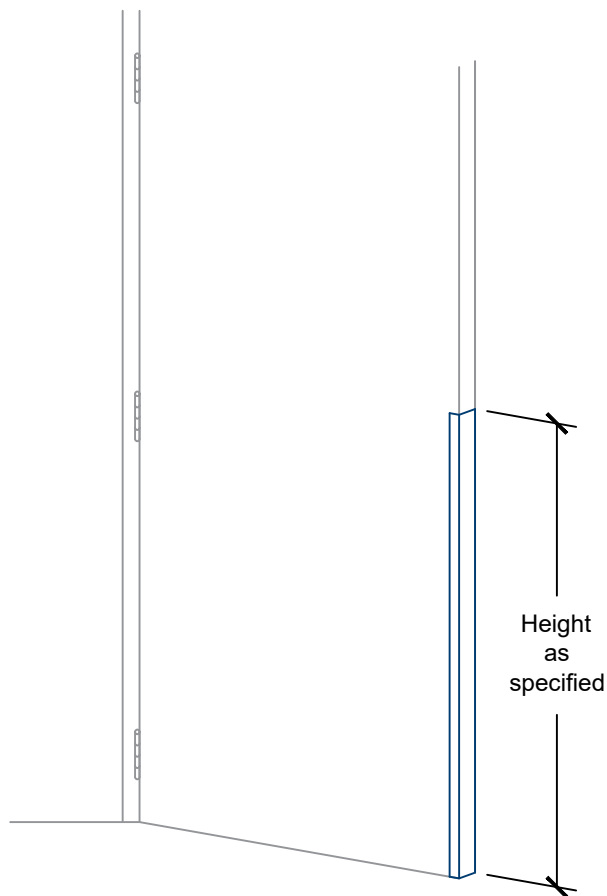
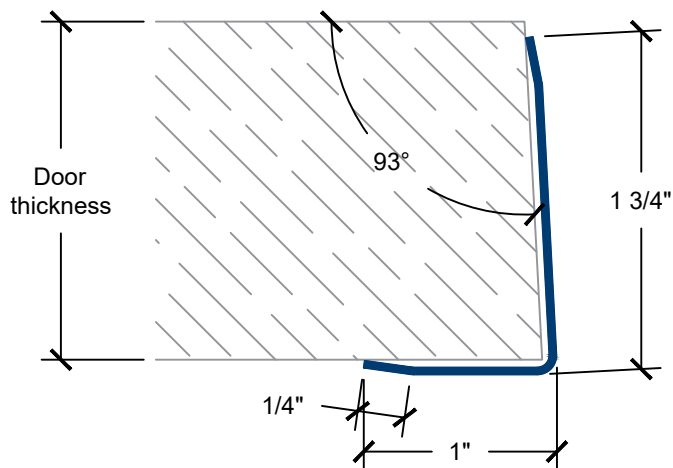
- 20 gauge type 304 #4 finish stainless steel
- 1-inch wing size
- For 1 3/4-inch door thickness with leading edge
- 87-degree angle
- Custom sizes available
- Other stainless steel grades and finishes available

### Standard Lengths

- 48-inch
- 84-inch

### Mounting Options

- ADH-50 adhesive
- Mechanical fasteners (supplied by others)
- Pre-drilled mounting holes available



### Spacing for optional drilled holes

- 3-inches from ends
- Spaced equally not to exceed 36-inches
- Specify punched or countersunk holes

