

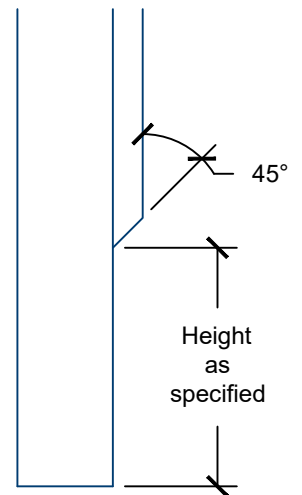
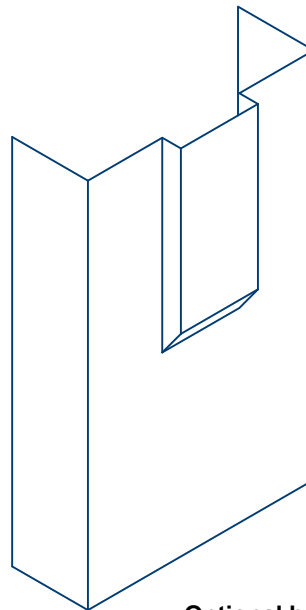
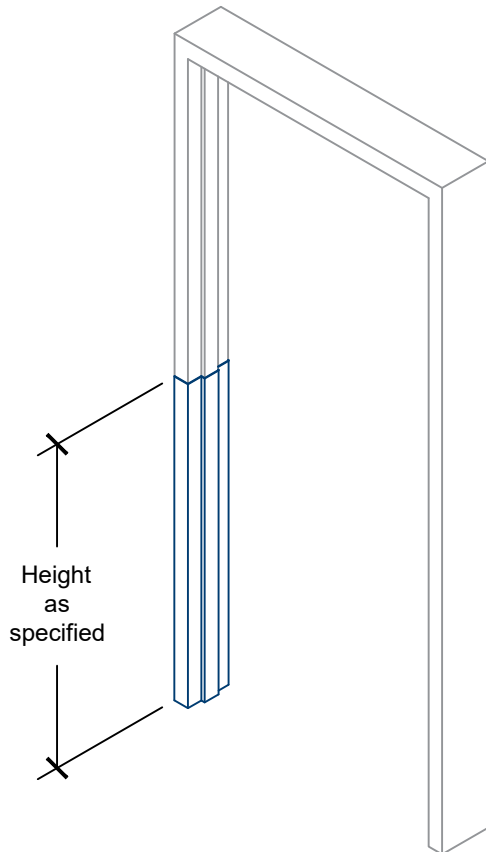
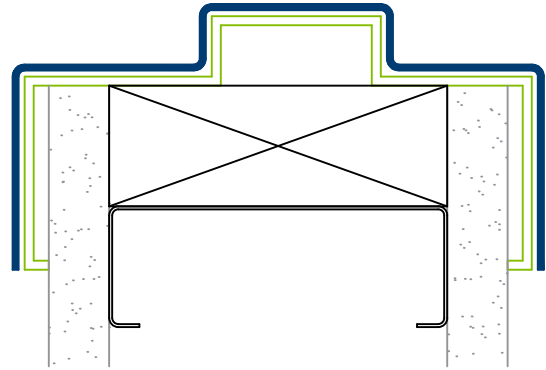
## DFC-16 Stainless Steel Door Frame Cover

- Type 304 #4 finish stainless steel
- Custom-fabricated per field measurements
- Cut-outs for hinges and strikes available
- Hospital stop profiles available
- Other stainless steel grades and finishes available

### Mounting Options

- ADH-50 adhesive
- Mechanical fasteners (supplied by others)
- Pre-drilled mounting holes available

Custom-fabricated  
type 304 #4 finish  
stainless steel cover



### Optional hospital stop profile

- Specify requirements when ordering