

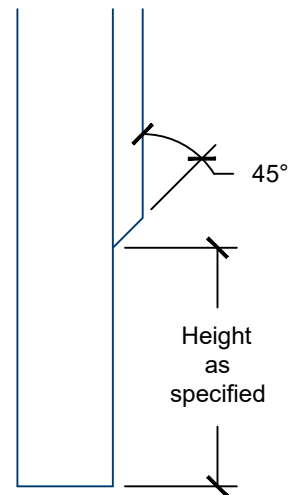
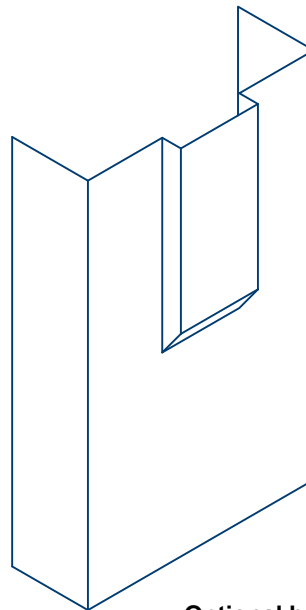
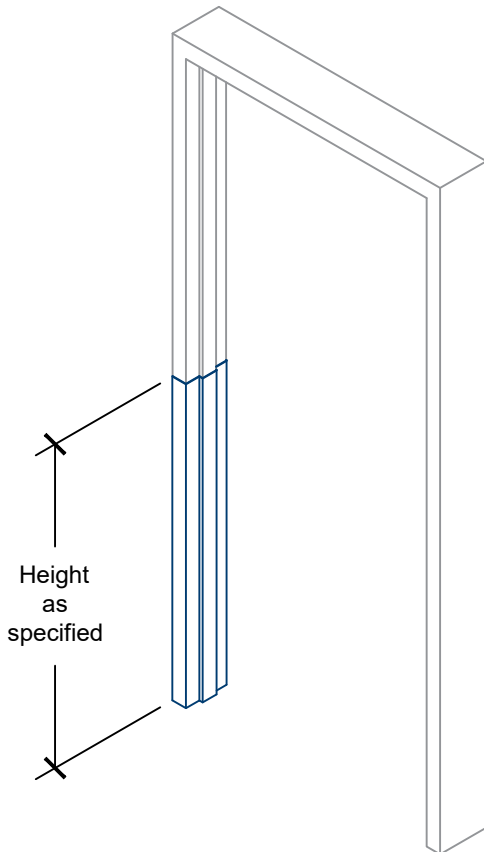
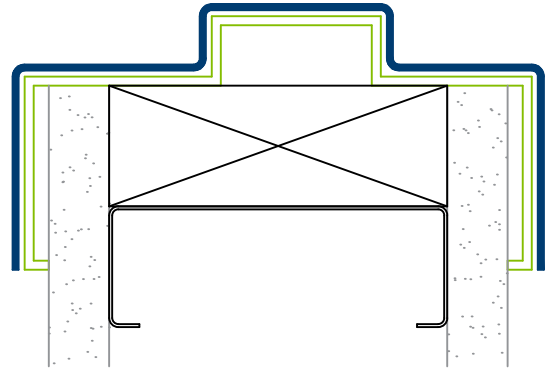
DFCC-16 Colored Stainless Steel Door Frame Cover

- Type 304 colored stainless steel
- Custom-fabricated per field measurements
- Manufacturer's standard colors
- Cut-outs for hinges and strikes available
- Hospital stop profiles available
- Other stainless steel grades and finishes available

Mounting Options

- ADH-50 adhesive
- Mechanical fasteners (supplied by others)
- Pre-drilled mounting holes available

Custom-fabricated
type 304 colored
stainless steel cover



Optional hospital stop profile

- Specify requirements when ordering