

WPAM-12 Antimicrobial Wall Covering

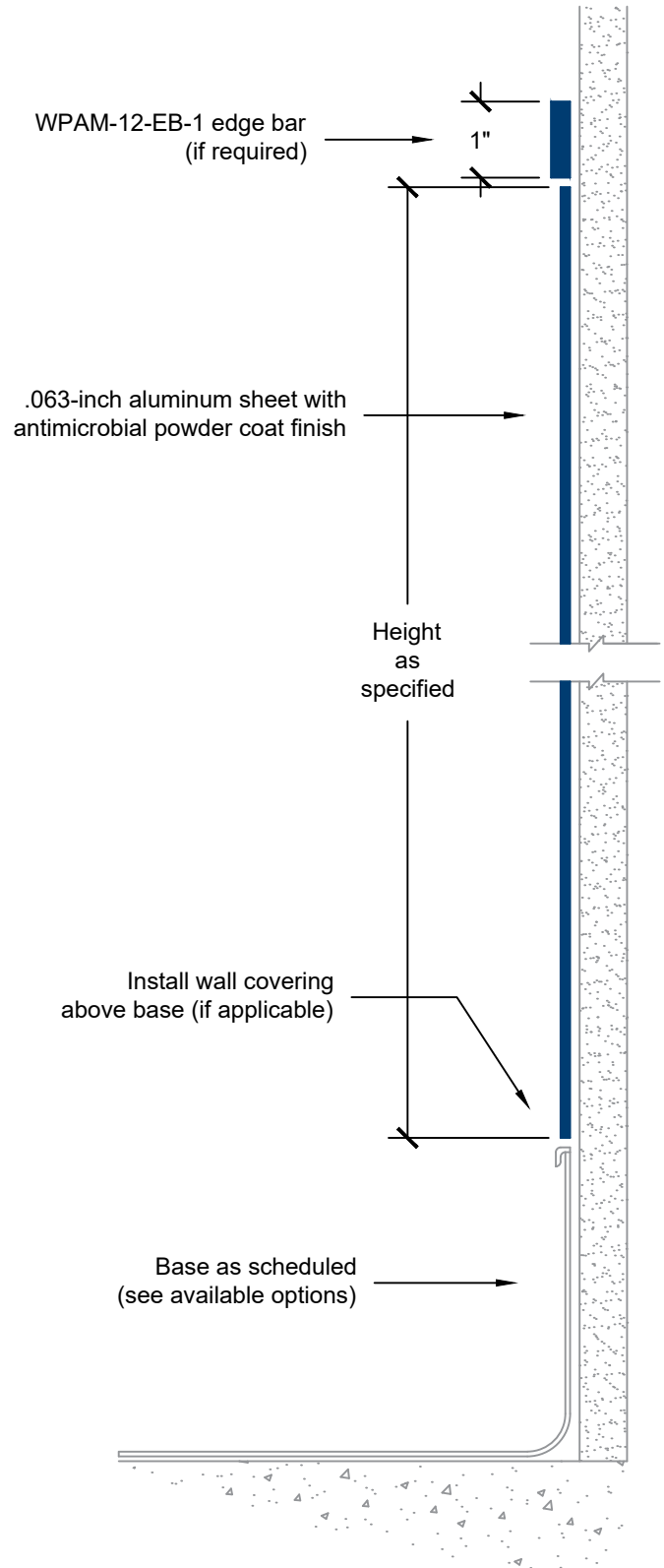
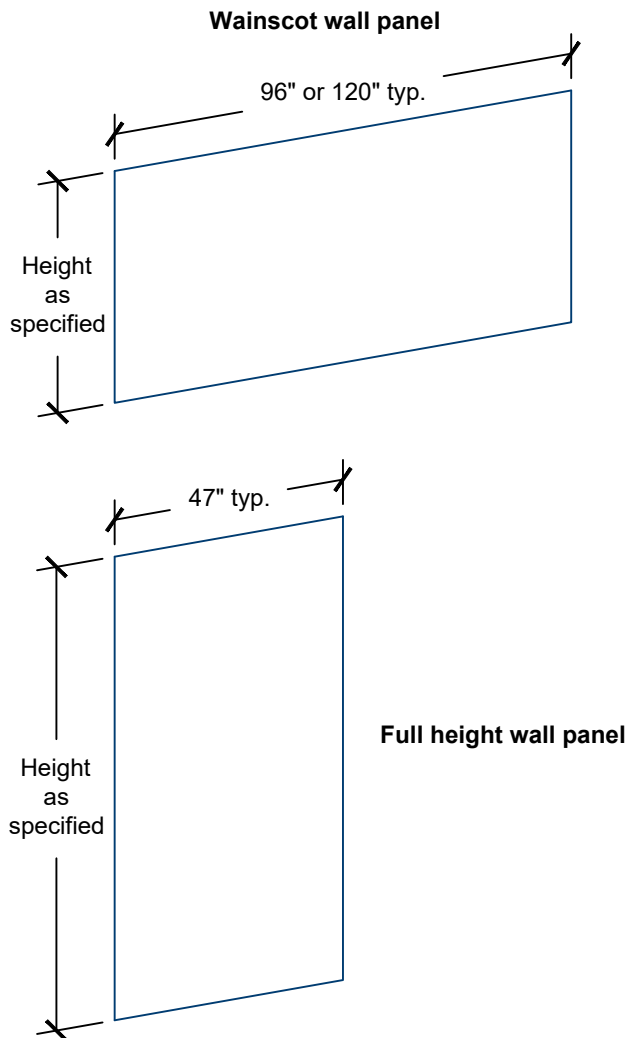
- .063-inch aluminum with antimicrobial powder coat finish
- Wainscot or full height installation
- 1/2-inch offset overlapping seams
- Full range of RAL colors available
- Other thicknesses available

Standard Sheet Sizes

- 47-inch x 96-inch
- 47-inch x 120-inch
- Custom sizes available

Mounting Options

- ADH-50 adhesive
- Mechanical fasteners (supplied by others)
- Pre-drilled mounting holes available



WPAM-12 Antimicrobial Wall Covering

- .063-inch aluminum with antimicrobial powder coat finish
- Wainscot or full height installation
- 1/2-inch offset overlapping seams
- Full range of RAL colors available
- Other thicknesses available

Standard Sheet Sizes

- 47-inch x 96-inch
- 47-inch x 120-inch
- Custom sizes available

Mounting Options

- ADH-50 adhesive
- Mechanical fasteners (supplied by others)
- Pre-drilled mounting holes available

WPAM-12-ICG-50 inside corner

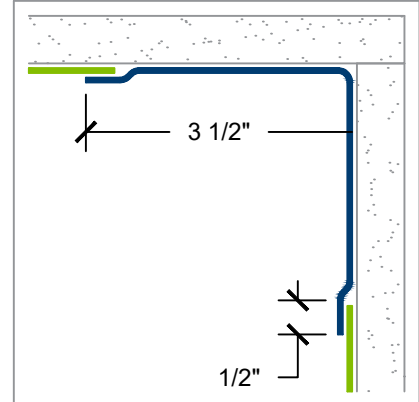
- .063-inch aluminum with antimicrobial powder coat finish
- 3 1/2-inch wing size
- 1/2-inch offset construction both wings
- 1/8-inch corner radius
- Height as specified

WPAM-12-OCG-50 outside corner

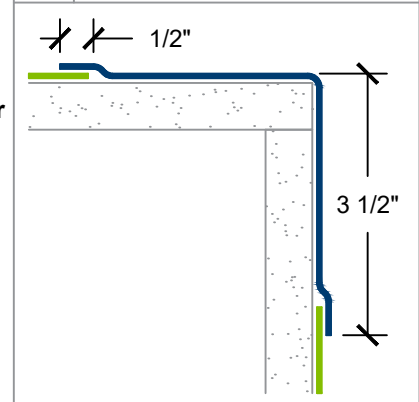
- .063-inch aluminum with antimicrobial powder coat finish
- 3 1/2-inch wing size
- 1/2-inch offset construction both wings
- 1/8-inch corner radius
- Height as specified

WPAM-12 sheet with offset

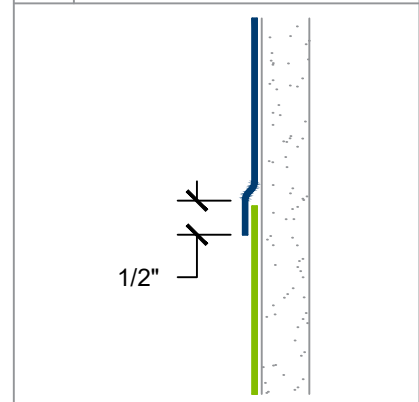
- .063-inch aluminum with antimicrobial powder coat finish
- Size as specified
- 1/2-inch offset construction on one vertical edge
- Required at all vertical seams



IC Inside corner detail



OC Outside corner detail



J 1/2-inch offset joint detail

